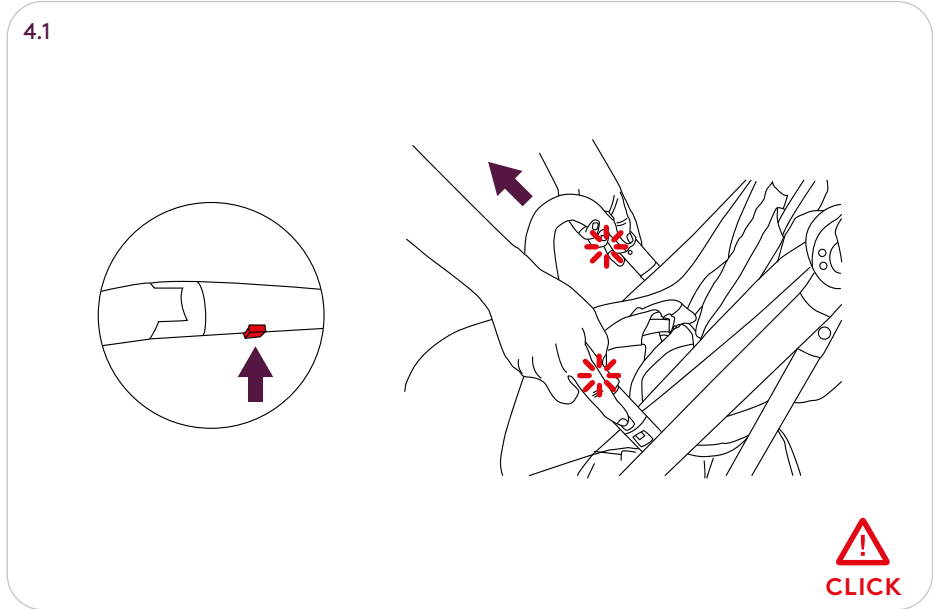
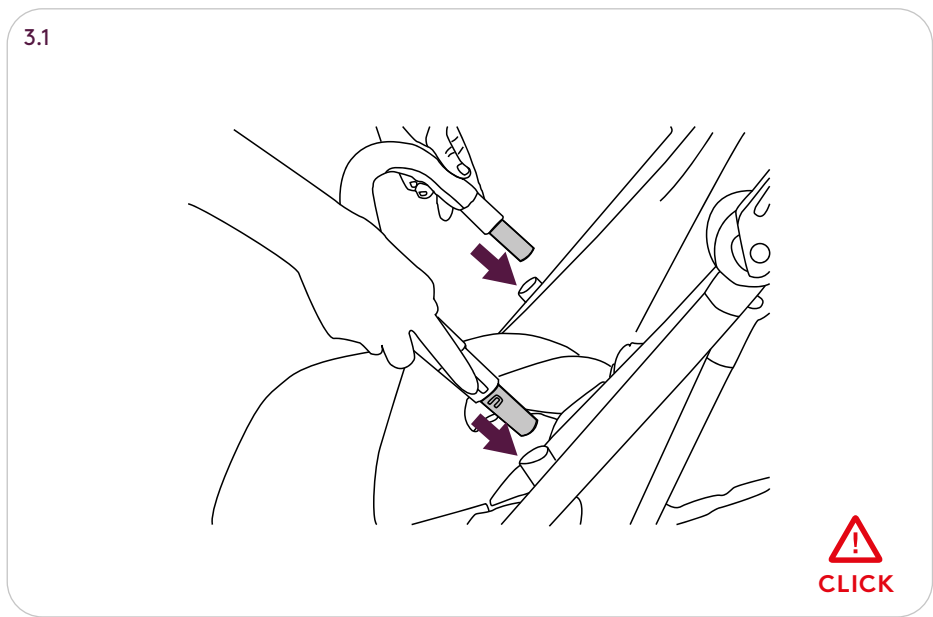
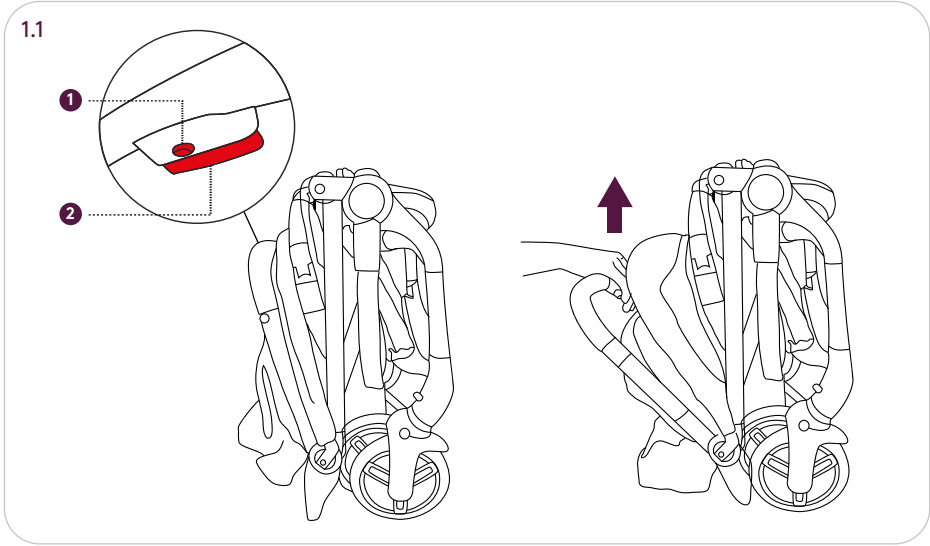


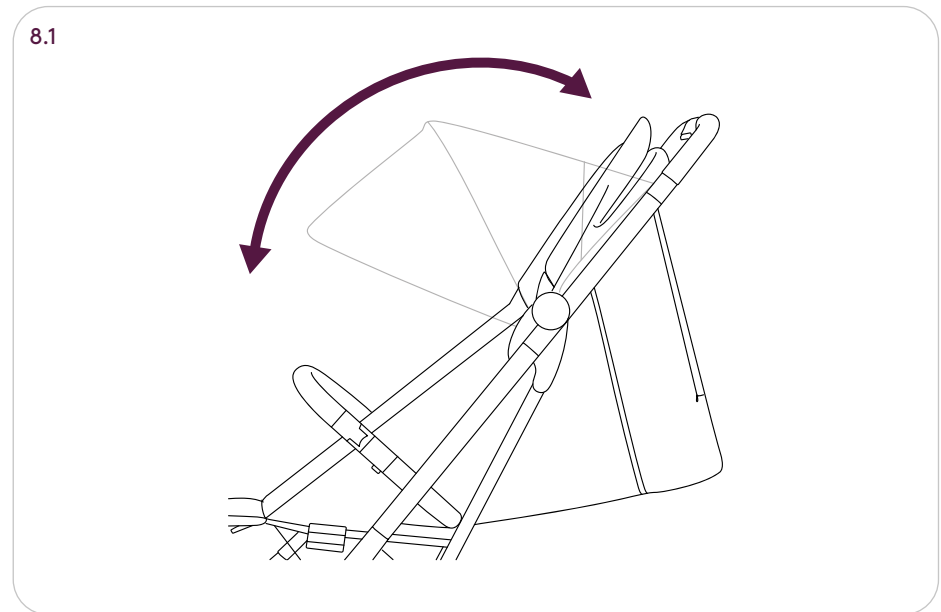
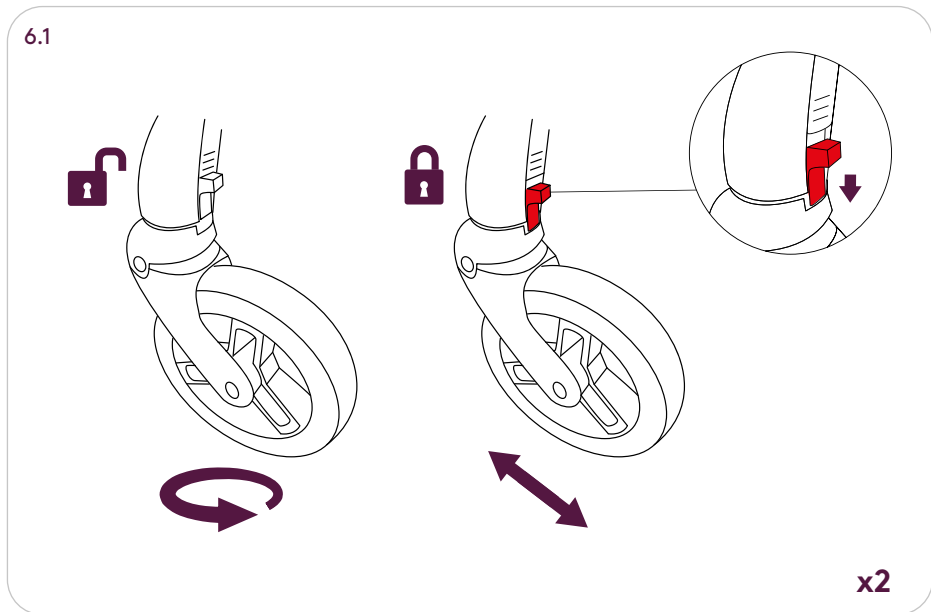
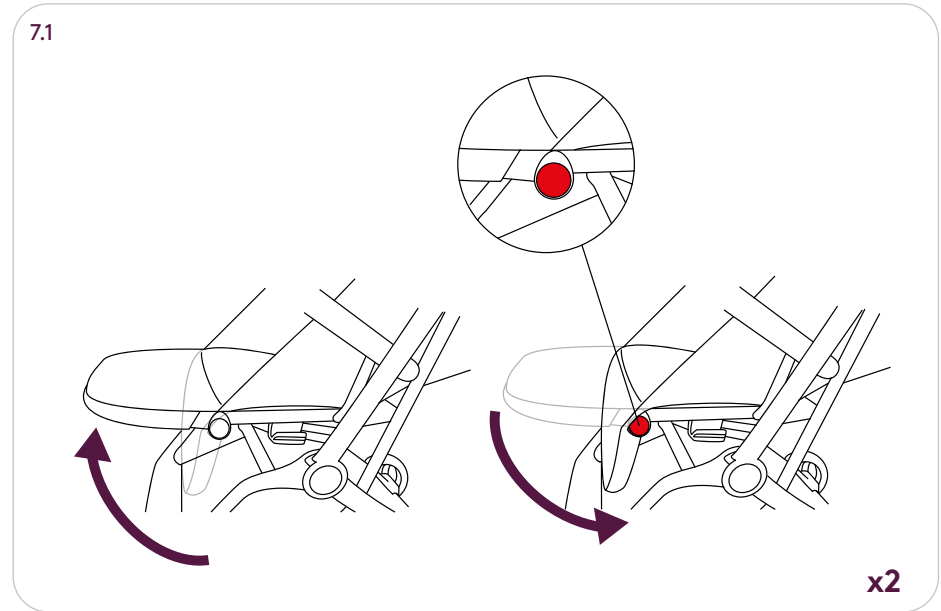
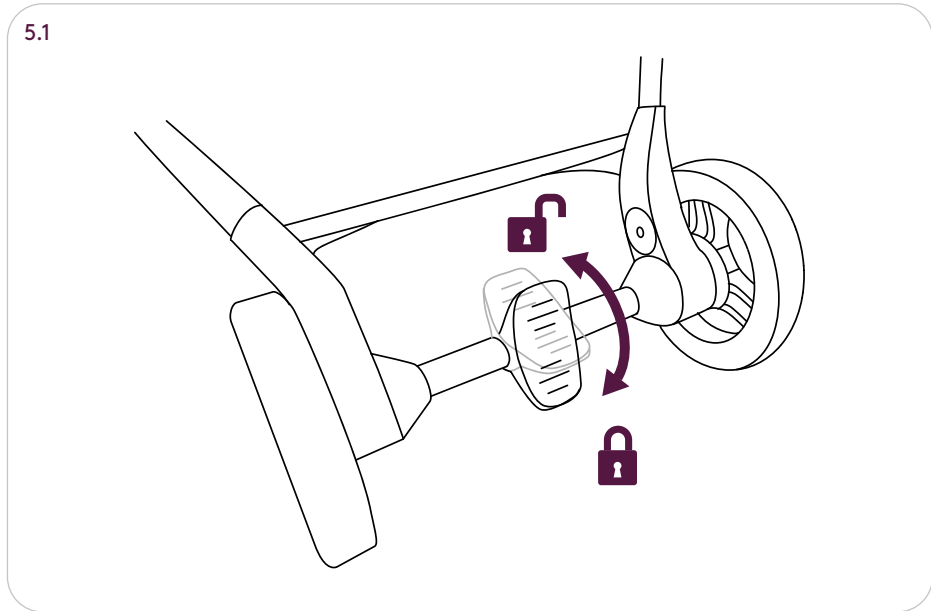
Silver Cross[®]

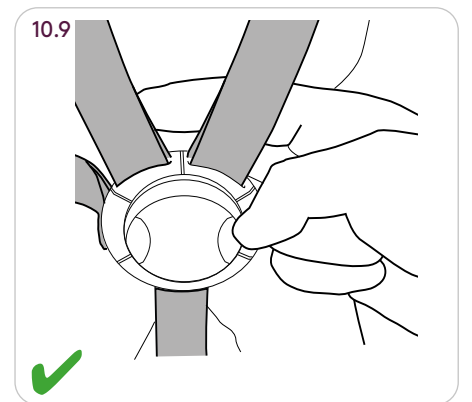
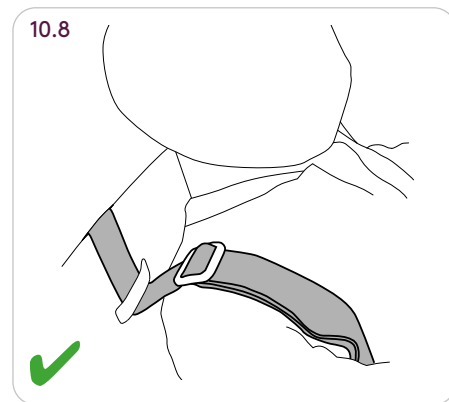
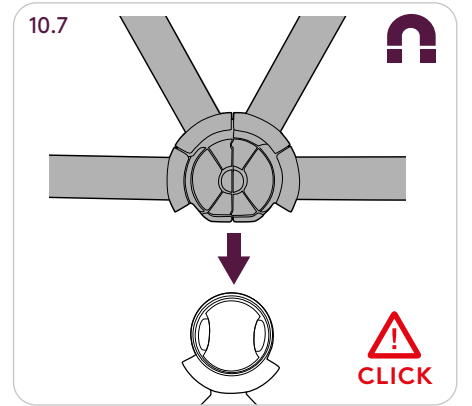
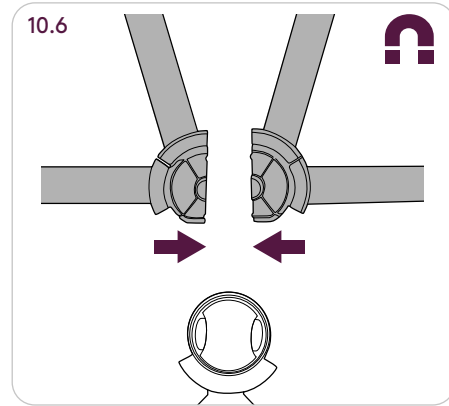
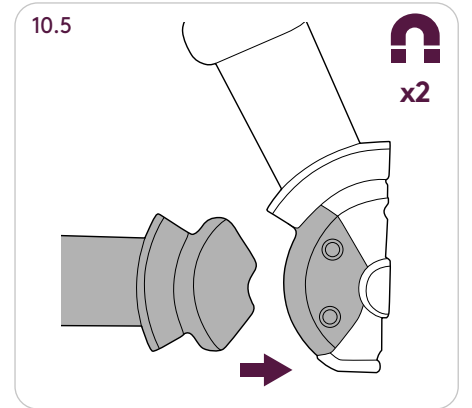
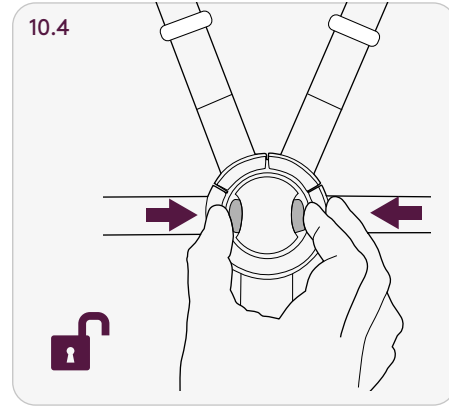
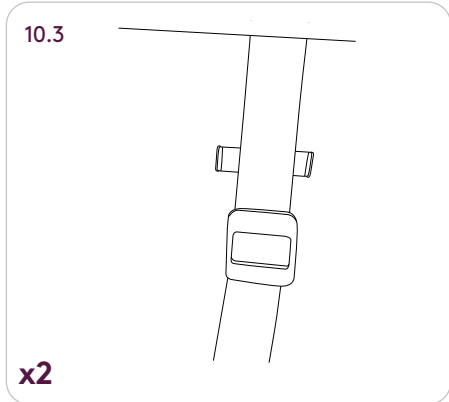
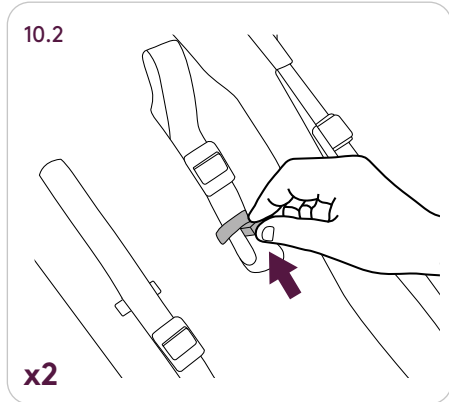
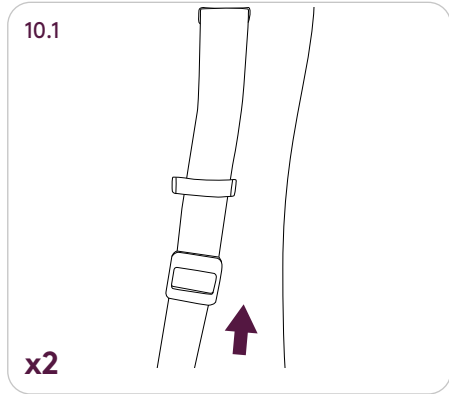
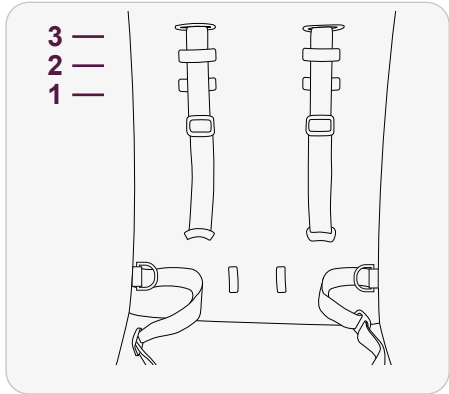
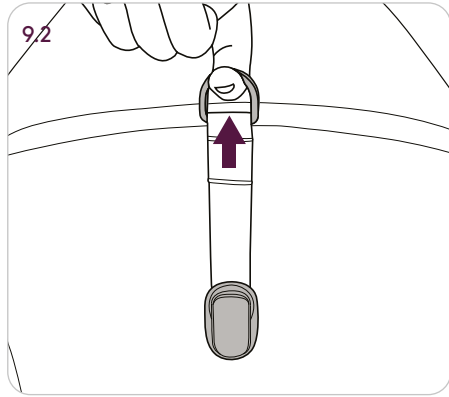
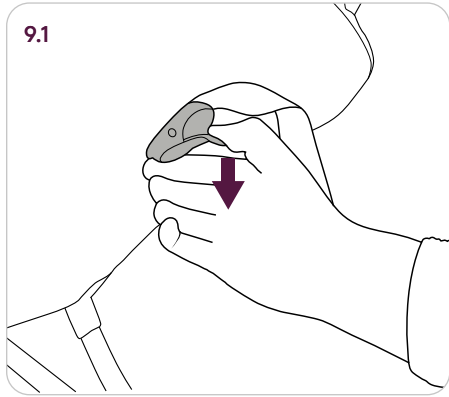
Auto

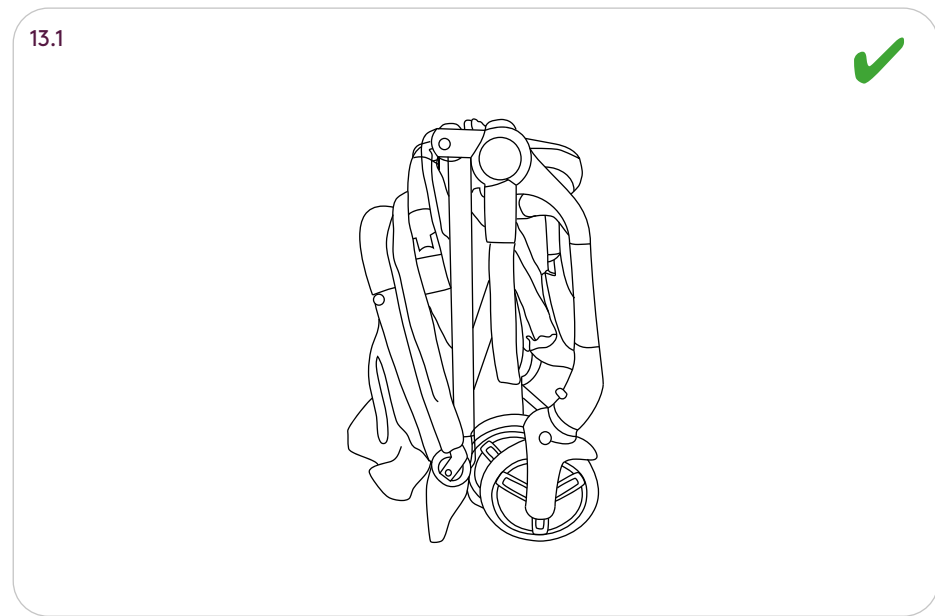
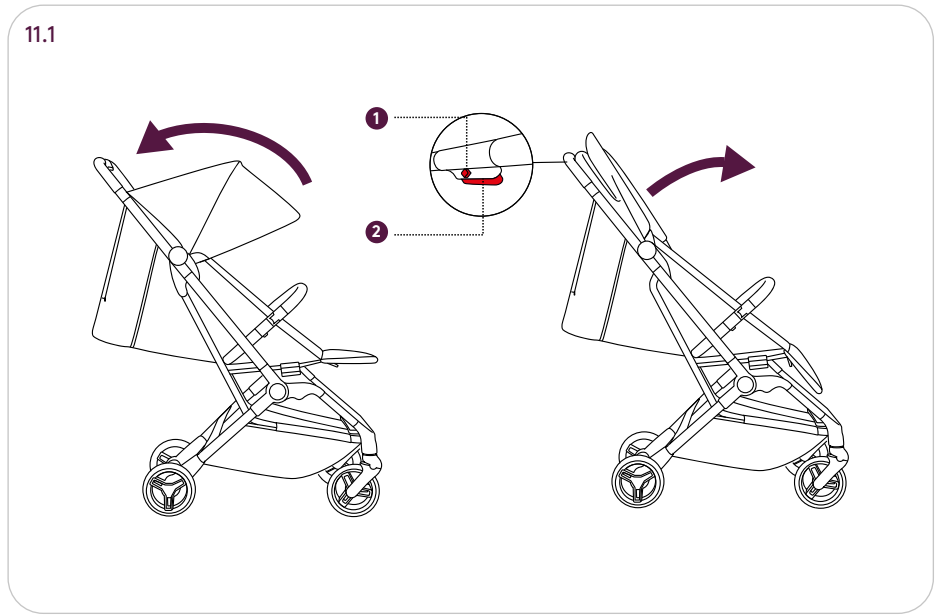
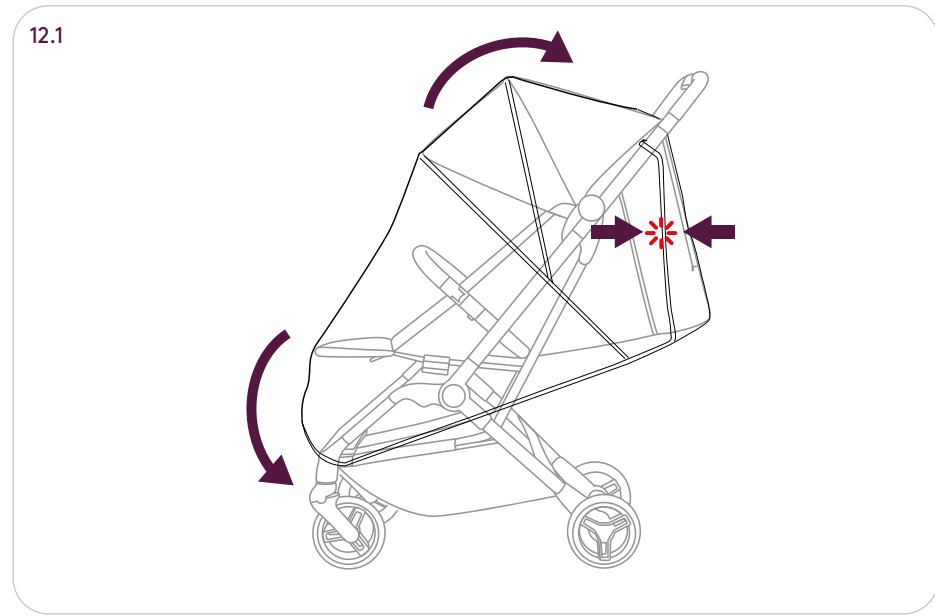
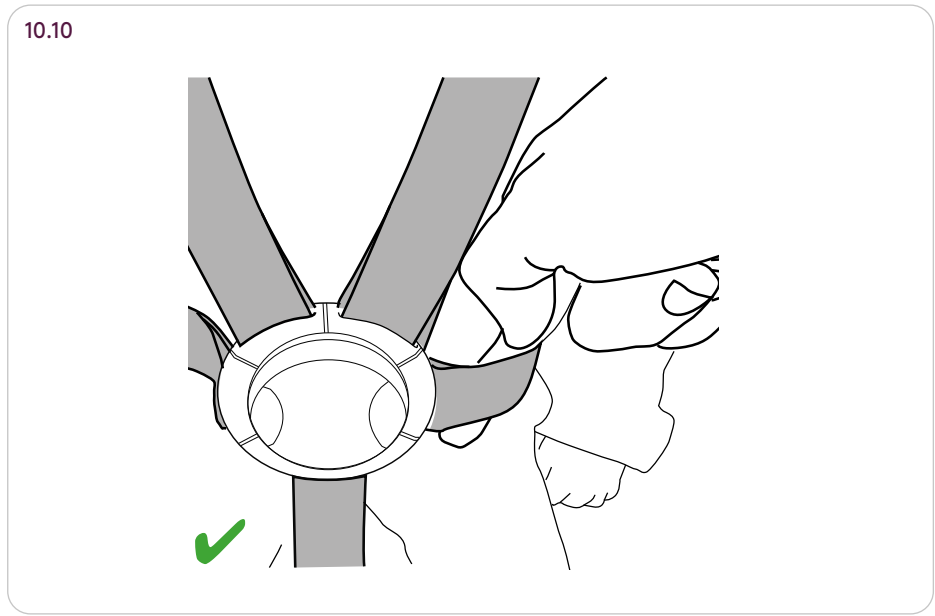
Instruction Manual

IMPORTANT – READ THE INSTRUCTIONS CAREFULLY BEFORE USE AND KEEP FOR FUTURE REFERENCE









Safety notes

This item is a high quality Silver Cross product. It complies with EN1888-2:2018+A1:2022 and with correct use and maintenance will give good service. If however you should have any problems with your product, please contact your Silver Cross retailer who will take appropriate action.

IMPORTANT: KEEP THESE INSTRUCTIONS FOR FUTURE REFERENCE

WARNING:

THIS PRODUCT IS SUITABLE FROM BIRTH UP TO 22KG OR 4 YEARS WHICHEVER COMES FIRST WITH THE SEAT UNIT.

IT IS RECOMMENDED THE MOST RECLINED POSITION IS USED FOR NEW BORN BABIES.

ALWAYS USE THE RESTRAINT SYSTEM.

'D' RINGS ARE PROVIDED FOR FITTING A SEPARATE HARNESS IF REQUIRED, COMPLYING WITH BS 6684.

NEVER LEAVE THE CHILD UNATTENDED.

ENSURE ALL LOCKING DEVICES ARE ENGAGED BEFORE USE.

TO AVOID INJURY ENSURE THAT THE CHILD IS KEPT AWAY WHEN UNFOLDING AND FOLDING THIS PRODUCT.

DO NOT LET THE CHILD PLAY WITH THIS PRODUCT.

THIS PRODUCT IS NOT SUITABLE FOR RUNNING OR SKATING.

PARKING DEVICE SHALL BE ENGAGED WHEN PLACING OR REMOVING THE CHILD.

ANY LOAD ATTACHED TO THE HANDLE AND/OR THE BACK OF THE BACKREST AND/OR ON THE SIDE OF THE VEHICLE WILL AFFECT THE STABILITY OF THE VEHICLE.

DO NOT CARRY MORE THAN ONE CHILD IN THIS PUSHCHAIR.

DO NOT STAND A SECOND CHILD ON REAR LOCK AND USE AS A BUGGY BOARD.

DO NOT ATTACH A THIRD PARTY BUGGY BOARD.

ACCESSORIES WHICH ARE NOT APPROVED BY SILVER CROSS SHALL NOT BE USED.

ONLY REPLACEMENT PARTS SUPPLIED/RECOMMENDED BY SILVER CROSS SHALL BE USED.

DO NOT USE IF ANY PART IS BROKEN, TORN, OR MISSING.

THE CHILD SHOULD BE CLEAR OF MOVING PARTS WHILST MAKING ADJUSTMENTS.

DO NOT ALLOW THE CHILD TO CLIMB IN OR OUT OF THE PUSHCHAIR OF THEIR OWN ACCORD, AS THIS COULD RESULT IN INJURY TO THE CHILD OR DAMAGE TO YOUR PUSHCHAIR.

NEVER LEAVE THE CHILD IN THE PUSHCHAIR WITH THE RAINCOVER FULLY FITTED OTHER THAN IN NORMAL OUTSIDE USE.

IN THE INTEREST OF SAFETY DO NOT USE THE RAINCOVER INDOORS OR WHEN STATIONARY IN THE WARM STILL AIR.

ALWAYS CHECK THAT THE CHILD IS NOT OVERHEATING

DO NOT STORE NEAR A DIRECT HEAT SOURCE.

WHEN FOLDING TUCK ALL LOOSE MATERIALS AWAY

IN WINDY CONDITIONS, EXTRA CARE SHOULD BE TAKEN.

WARNING CHECK THAT THE PRAM BODY, SEAT UNIT OR CAR SEAT ATTACHMENT DEVICES ARE CORRECTLY ENGAGED BEFORE USE.

THE SAFETY OF THE CHILD IS YOUR RESPONSIBILITY.

BASKET CAPACITY: 5KG

Always hold the seat when making adjustments. Be sure that the parking brake is on. If you have any difficulty in folding or unfolding the pushchair do not force as this will cause damage. Read the "To fold or unfold" instructions carefully. It may be unsafe to fit accessories or spare parts other than those supplied or recommended by Silver Cross. If anyone other than the owner is going to use this product (e.g. grandparent, child minder), please show them how to use it correctly.

Care and maintenance

Chassis - Always check your pushchair for signs of wear. Regularly lubricate all moving parts. Check for freedom of movement of all locking devices. Polish metal work with a clean, dry cloth.

Dirt and dust within moving mechanisms may be rinsed away with clean water. Do not soak or submerge.

Fabric items - Please refer to the washcare instructions on each individual item's washcare label.

Seat Unit - To clean, sponge area with warm soapy water. Rinse well with clean water to avoid staining. Allow to dry naturally, away from direct heat and strong sunlight.

Never machine wash, tumble dry, iron or bleach any of the fabric items or seat unit. A certain degree of fading may occur over time through everyday use.

Silver Cross

UK

Silver Cross (UK) Ltd.
Micklethorn, Broughton, Skipton,
North Yorkshire BD23 3JA

EU/PACIFIC

Silver Cross (Pacific) Ltd.
Office 527, Lee Garden Three,
1 Sunning Road, Causeway Bay,
Hong Kong

Silver Cross[®]

silvercrossbaby.com