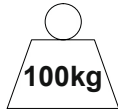
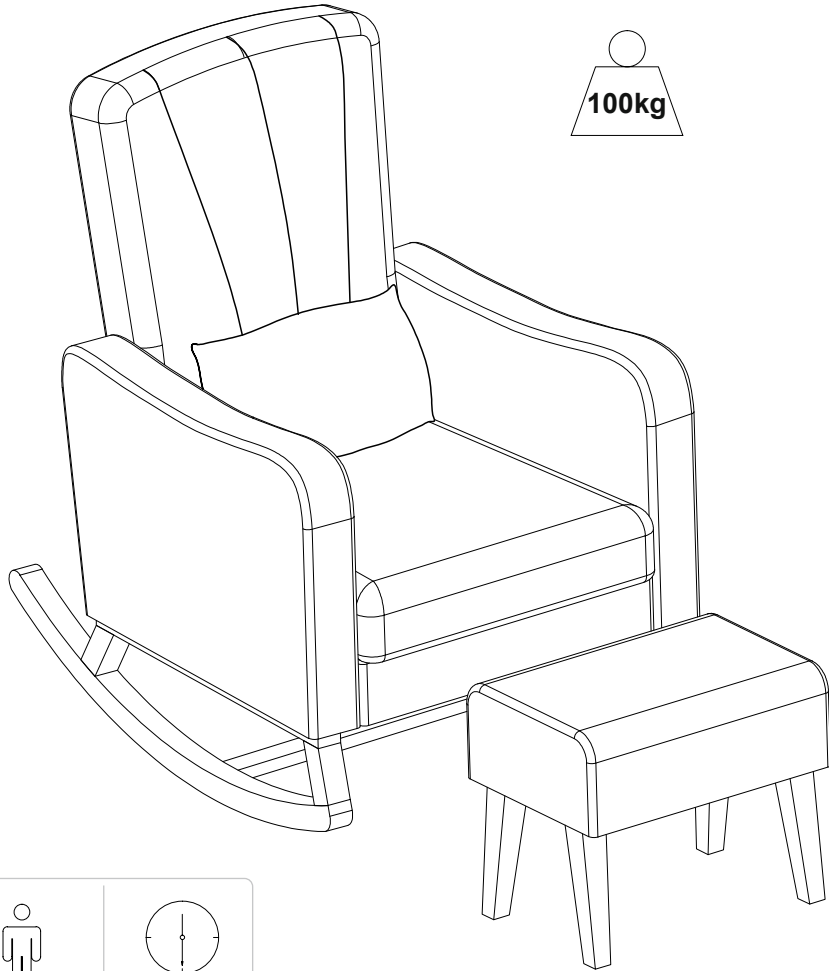



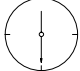
*Silver Cross*<sup>®</sup>

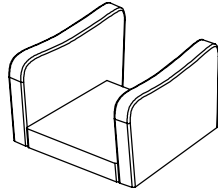
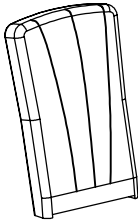
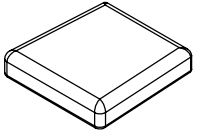
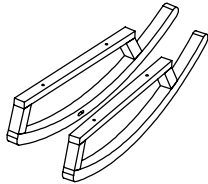
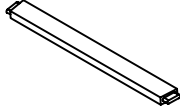
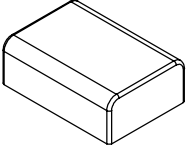
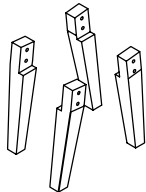
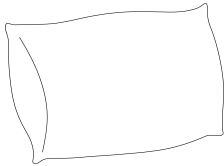
# Carmel




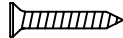

Nursing Chair  
Instruction Manual

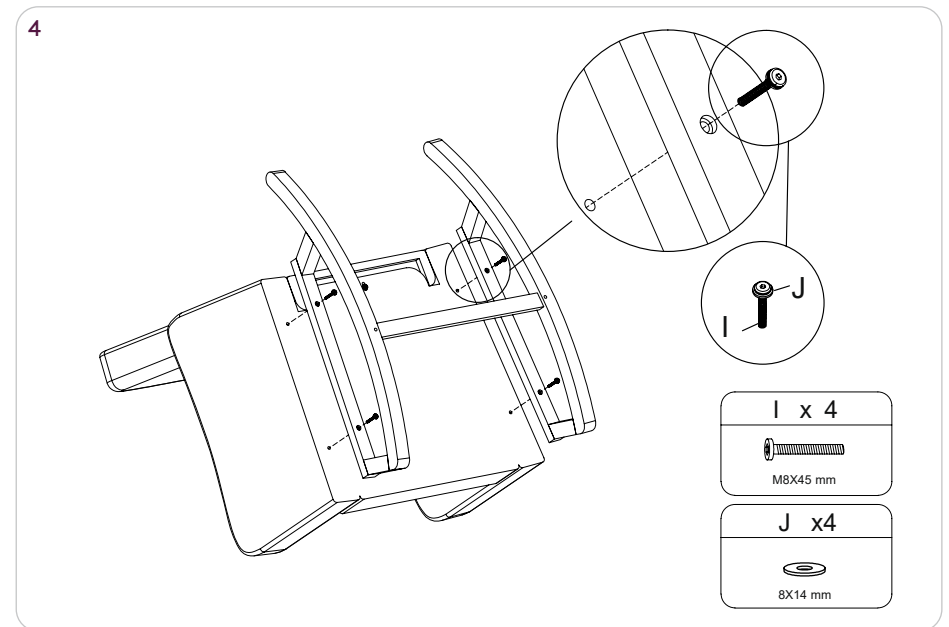
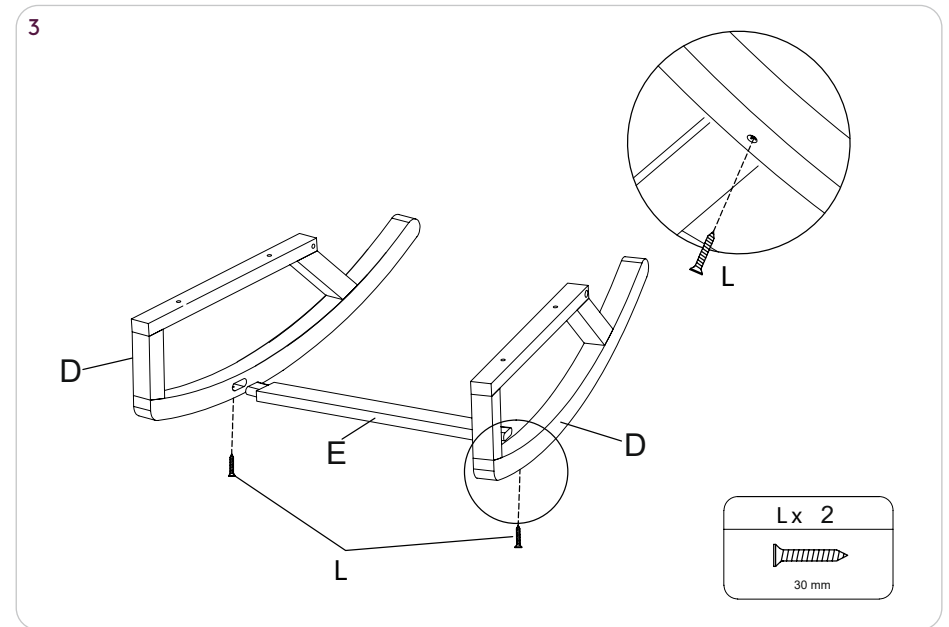
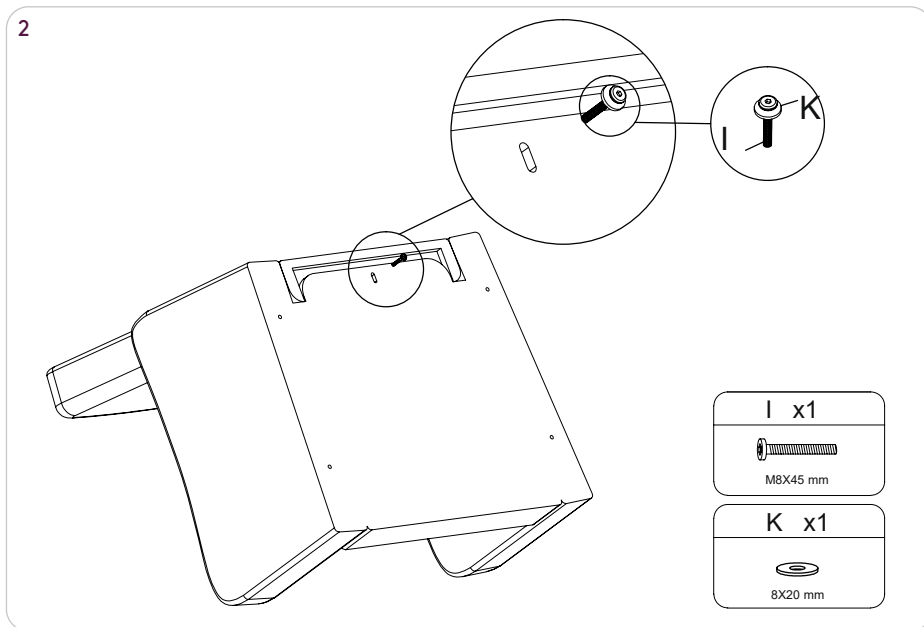
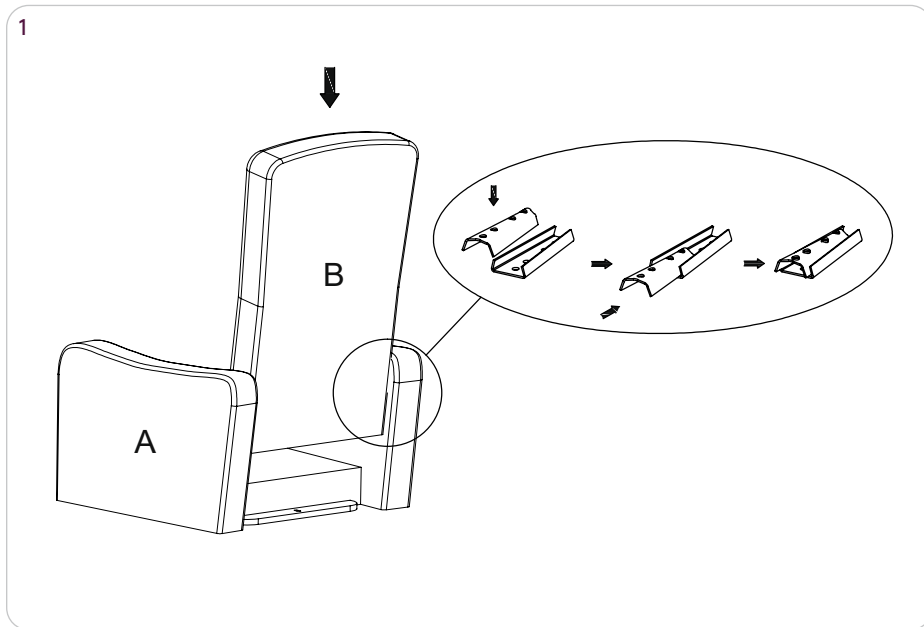
# IMPORTANT! – RETAIN FOR FUTURE REFERENCE READ CAREFULLY



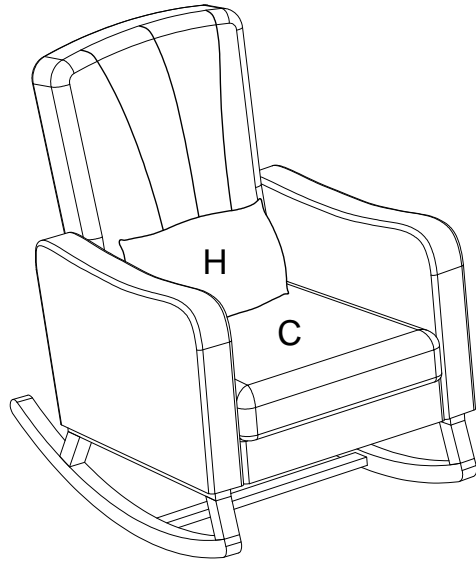
 1 PER	 30 MIN
--	---

<p>A</p>  <p>x 1 Chair main seat</p>	<p>B</p>  <p>x 1 Chair backrest</p>	<p>C</p>  <p>x 1 Chair mattress</p>
<p>D</p>  <p>x 2 Chair legs</p>	<p>E</p>  <p>x 1 Chair legs connector</p>	<p>F</p>  <p>x 1 Stool surface</p>
<p>G</p>  <p>x 4 Stool legs</p>	<p>H</p>  <p>x 1 pillow</p>	

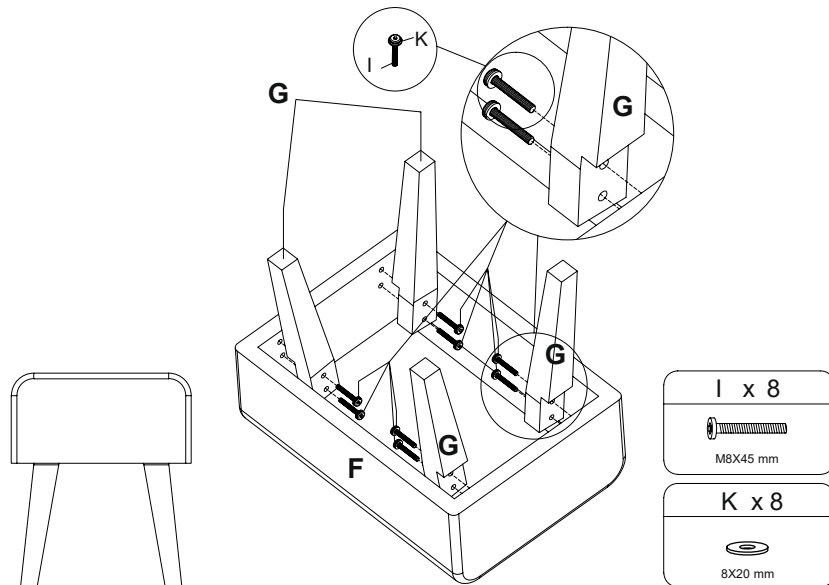
<p>I x 13</p>  <p>M8X45 mm</p>	<p>J x 4</p>  <p>8X14 mm</p>	<p>K x 9</p>  <p>8X20 mm</p>	<p>L x 2</p>  <p>30 mm</p>	<p>M x 1</p> 
---	---	---	---	--



5



6

**ENG**

These instructions are important.

To ensure that your nursing chair and stool is used in accordance with these instructions, please read them fully. Your child's safety may be affected if you do not follow these instructions. Assembly should be carried out by a competent adult only.

**! WARNING**

CARE SHOULD BE TAKEN AS THE UNDERSIDE MECHANISM OF THIS NURSING CHAIR COULD PRESENT A HAZARD TO OTHER PEOPLE WHEN IN USE.

**! WARNING**

THE STOOL IS INTENDED TO BE USED FOR SUPPORTING THE FEET AND LEGS ONLY, NOT FOR SITTING ON.

**! WARNING**

DO NOT SIT ON THE EDGE OF THE SEAT, ARMRESTS OR ON THE BACKREST AS THIS COULD CAUSE THE CHAIR TO TIP OVER.

**! WARNING**

DO NOT LEAVE CHILDREN UNATTENDED ON OR BESIDE THE CHAIR OR FOOT STOOL.

**! WARNING**

BE AWARE OF THE RISK OF OPEN FIRE AND OTHER SOURCES OF HEAT, SUCH AS ELECTRIC BAR FIRES, GAS FIRES, ETC. IN THE NEAR VICINITY OF THE NURSING CHAIR AND STOOL.

**! WARNING**

DO NOT USE THE NURSING CHAIR AND STOOL IF ANY PART IS BROKEN OR MISSING. USE ONLY SPARE PARTS APPROVED BY THE MANUFACTURER.

**! WARNING**

ALL ASSEMBLY FITTINGS SHOULD BE TIGHTENED PROPERLY AND CARE SHOULD BE TAKEN TO ENSURE THAT NO SCREWS ARE LOOSE, AS A CHILD COULD TRAP PARTS OF THE BODY, OR CLOTHING (E.G. RIBBONS, DRAWSTRINGS, NECKLACES) THIS COULD LEAD TO STRANGULATION.

**! WARNING**

WOOD IS A NATURAL MATERIAL, THE COLOUR WILL DARKEN WITH AGE.

**! WARNING**

DURING ASSEMBLY CHILDREN SHOULD BE KEPT AWAY FROM THE PRODUCT DUE TO POSSIBLE RISK OF INJURY.

THIS PRODUCT CONFORMS TO BS EN 12520: 2015.

## ROUTINE CARE & MAINTENANCE

Regularly check that all fittings and components are fully tightened and in working order.

- Wipe away spills immediately to prevent staining.
- Use a cloth dampened with water and/or mild soap or a professional product to clean the fabric - always test an inconspicuous area first.
- Allow upholstery to dry and brush lightly.
- Cushions are to be dry cleaned only - do not machine wash the cushions.
- For cleaning the nursing chair/stool frame, use only a mild detergent and warm water.
- DO NOT USE BLEACH.
- DO NOT USE any abrasive substances.
- From time to time, check your nursing chair and stool for loose screws, and worn parts. Replace or adjust the parts as needed.

Due to constant updating and improvements, some components may occasionally differ slightly from the images shown in these instructions. We reserve the rights to change the specifications of any products without prior notice. If you should have any problems with your product, please contact your Silver Cross retailer who will take appropriate action.

IM-AXS-240124-01r07 - Carmel Nursing Chair

*Silver Cross*

**UK**

Silver Cross (UK) Ltd.  
Micklethorn, Broughton, Skipton,  
North Yorkshire BD23 3JA

*Silver Cross*<sup>®</sup>

[silvercrossbaby.com](http://silvercrossbaby.com)