

**IMPORTANT
RETAIN FOR FUTURE REFERENCE
READ CAREFULLY**

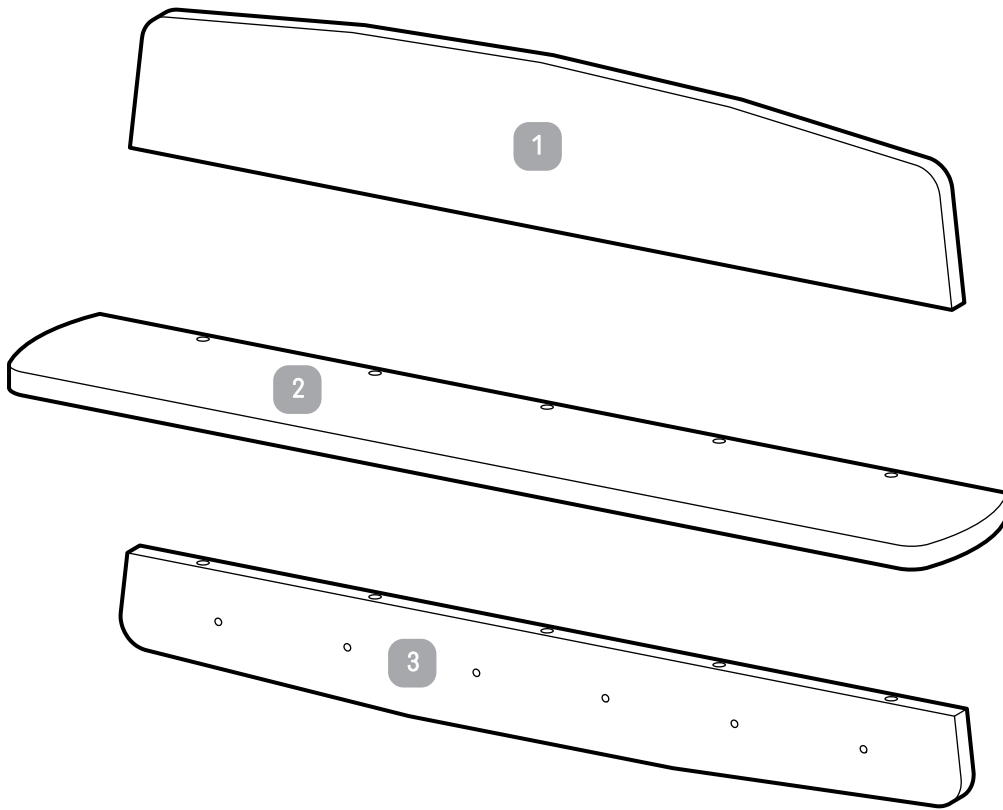
Silver Cross[®]

Brighton Westport Shelf

** IMPORTANT: THE ASSEMBLY OF THIS
PRODUCT REQUIRES TWO PEOPLE**

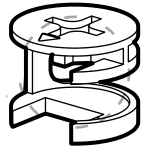


Parts list:

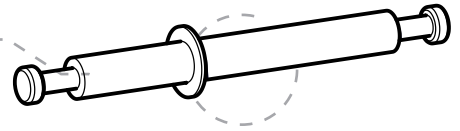


Fittings list:

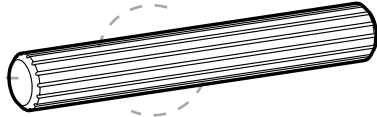
6 x B



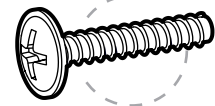
3 x C



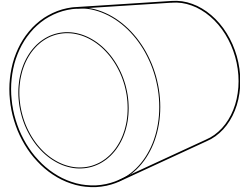
2 x D
(8 x 55)



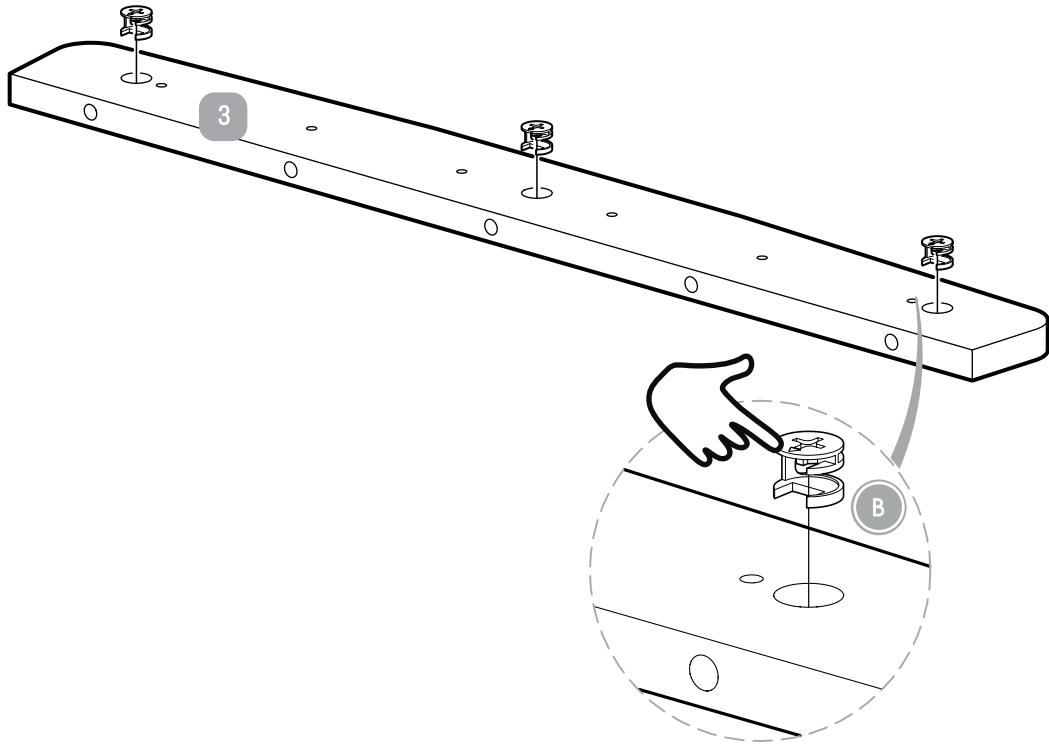
6 x E



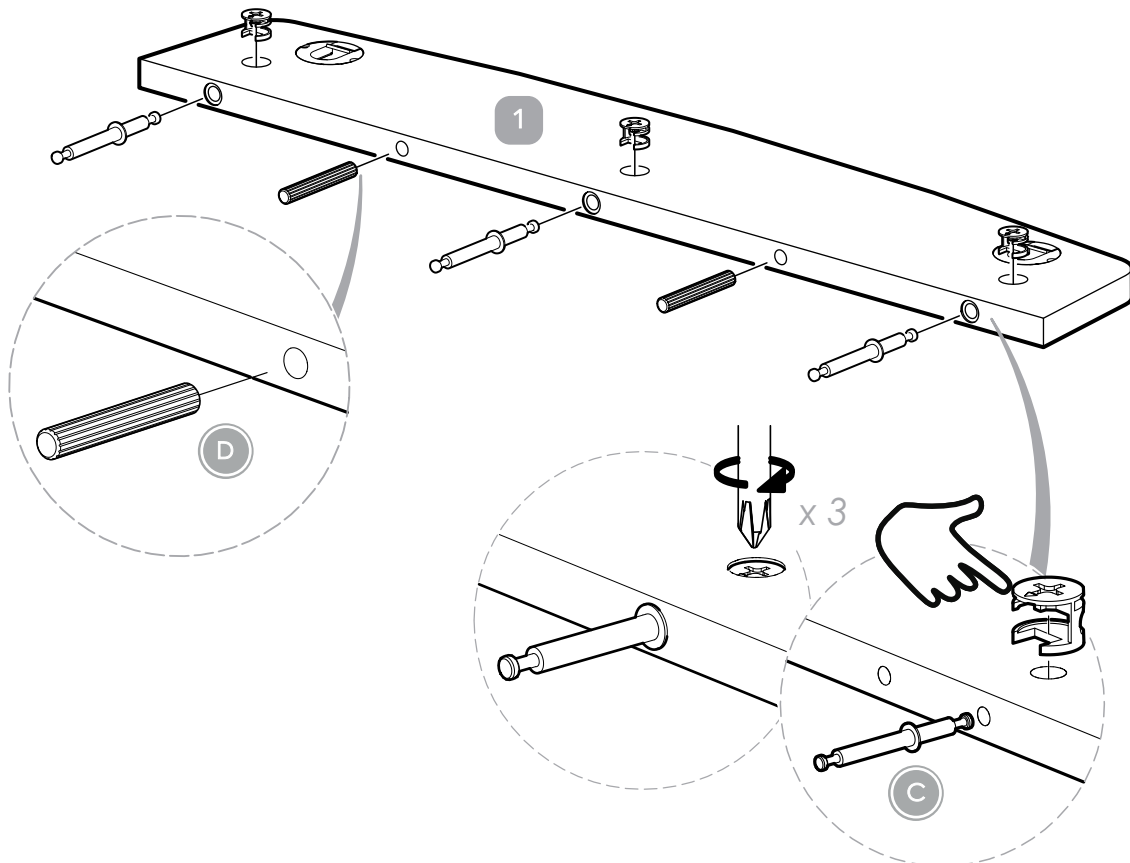
6 x F



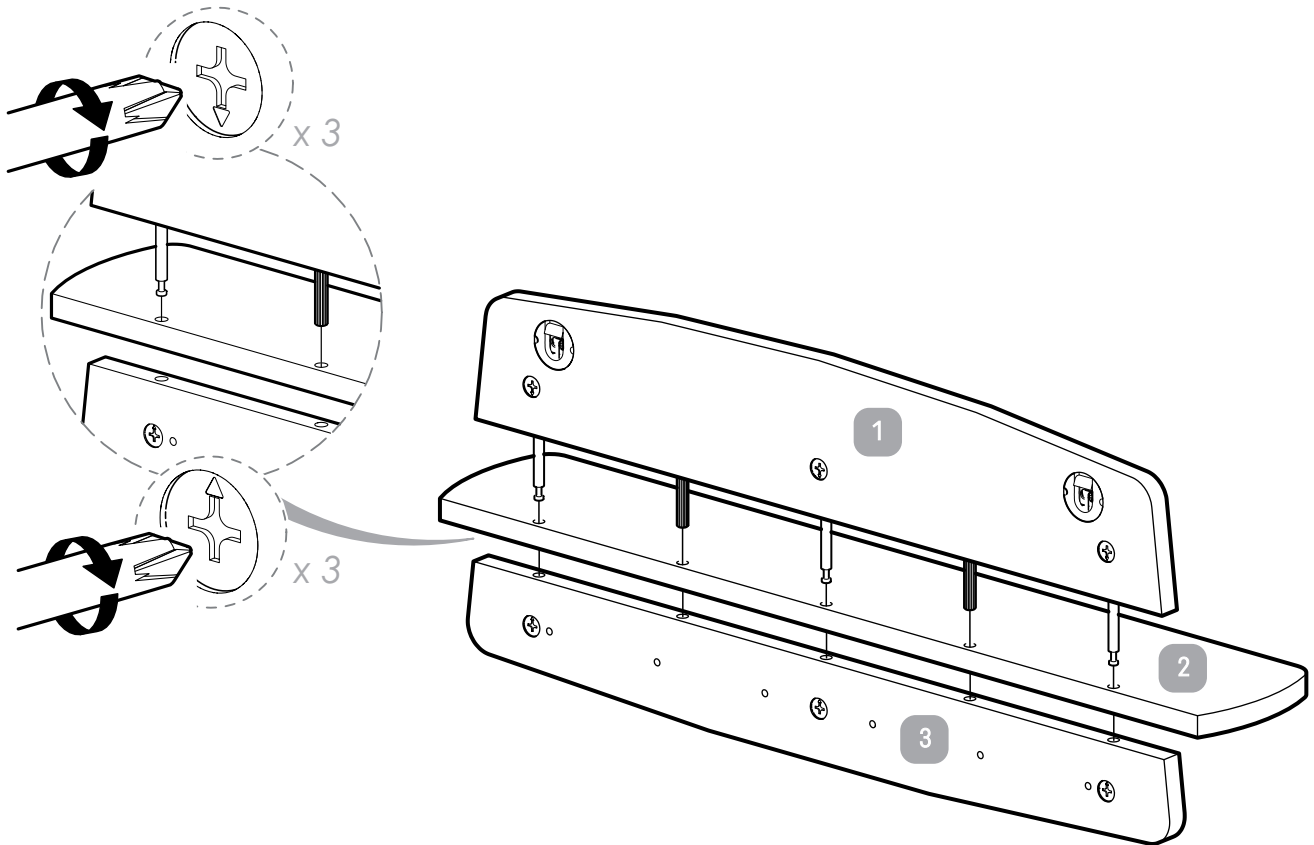
Step 1:



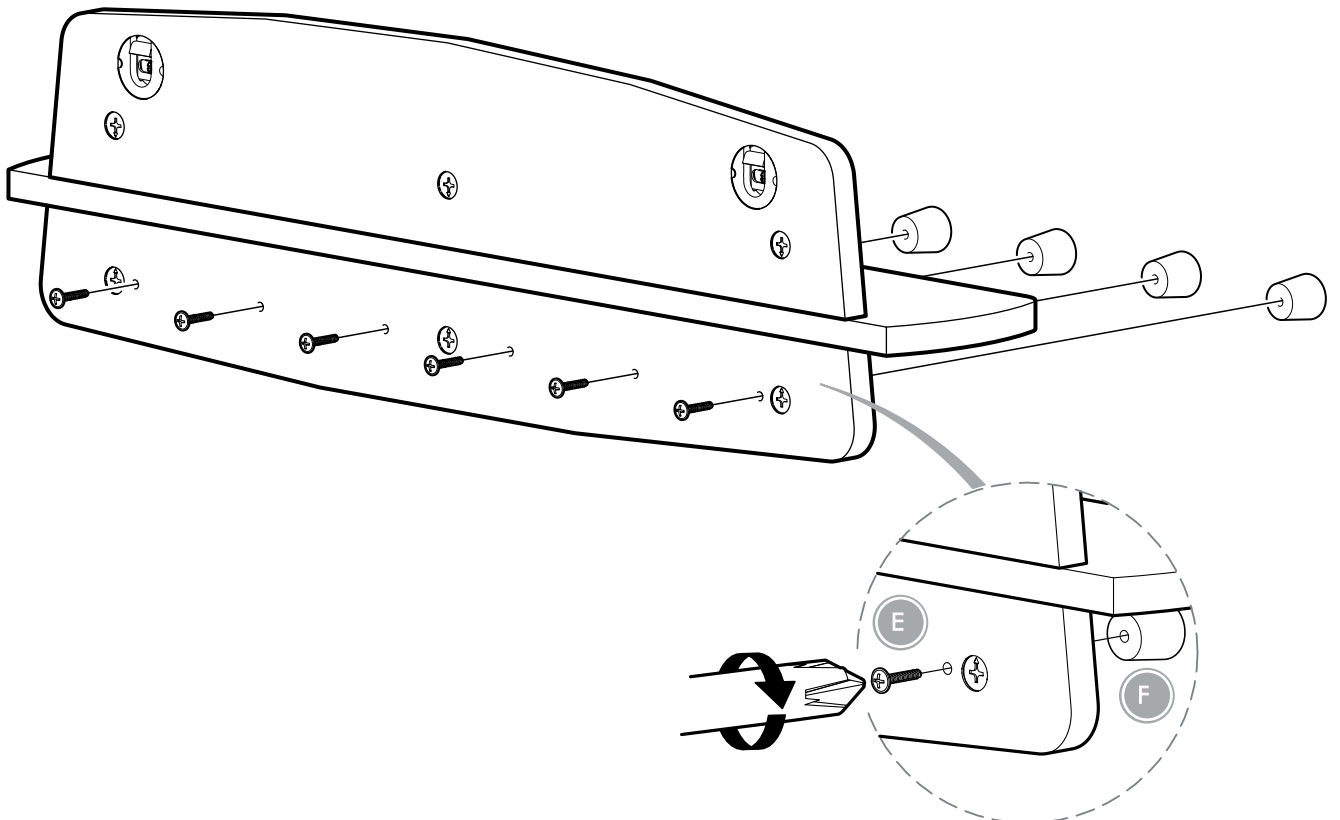
Step 2:



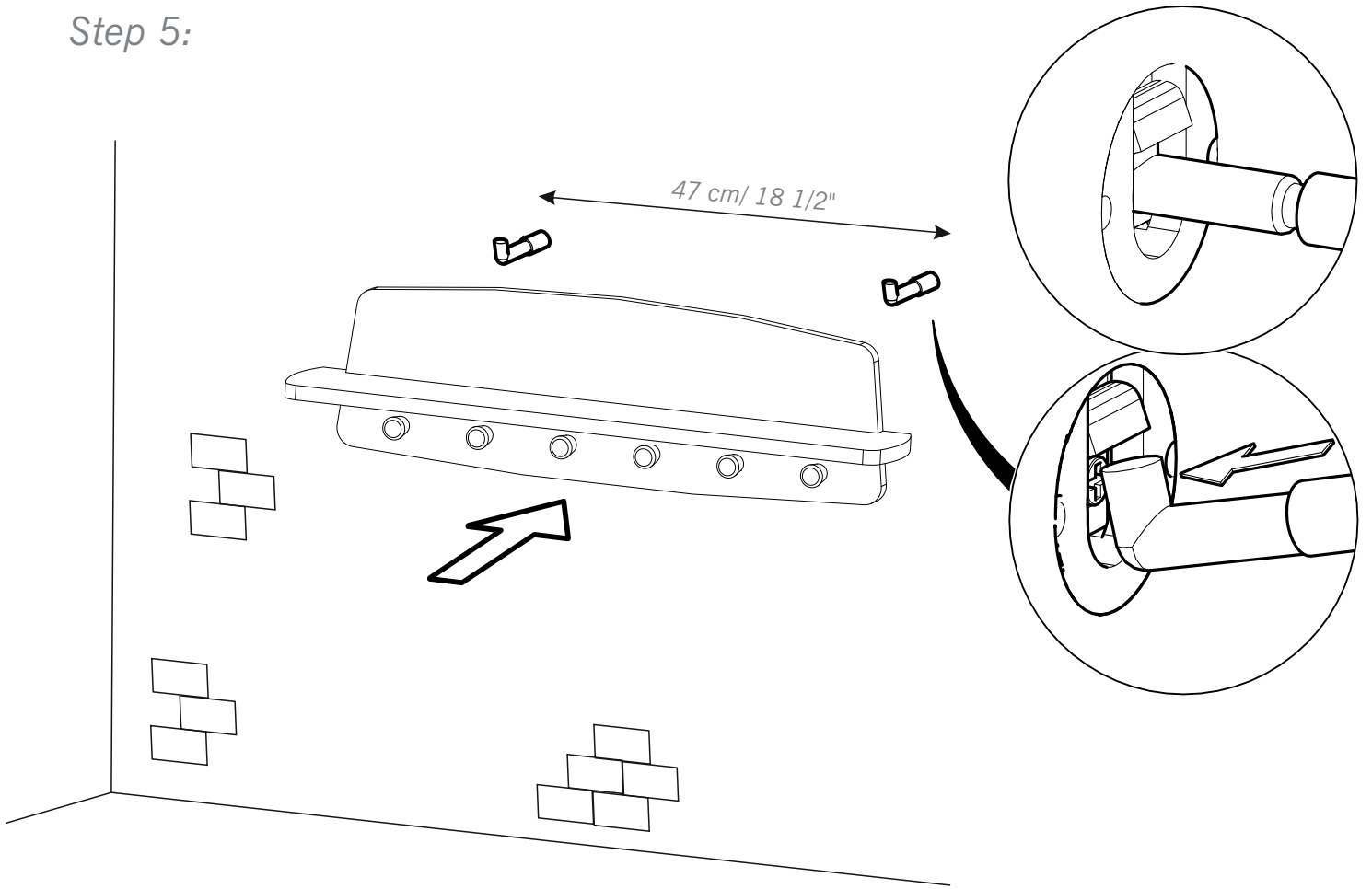
Step 3:



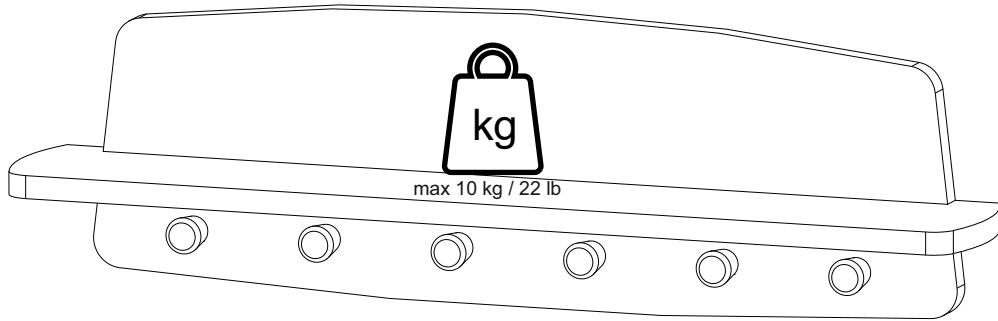
Step 4:



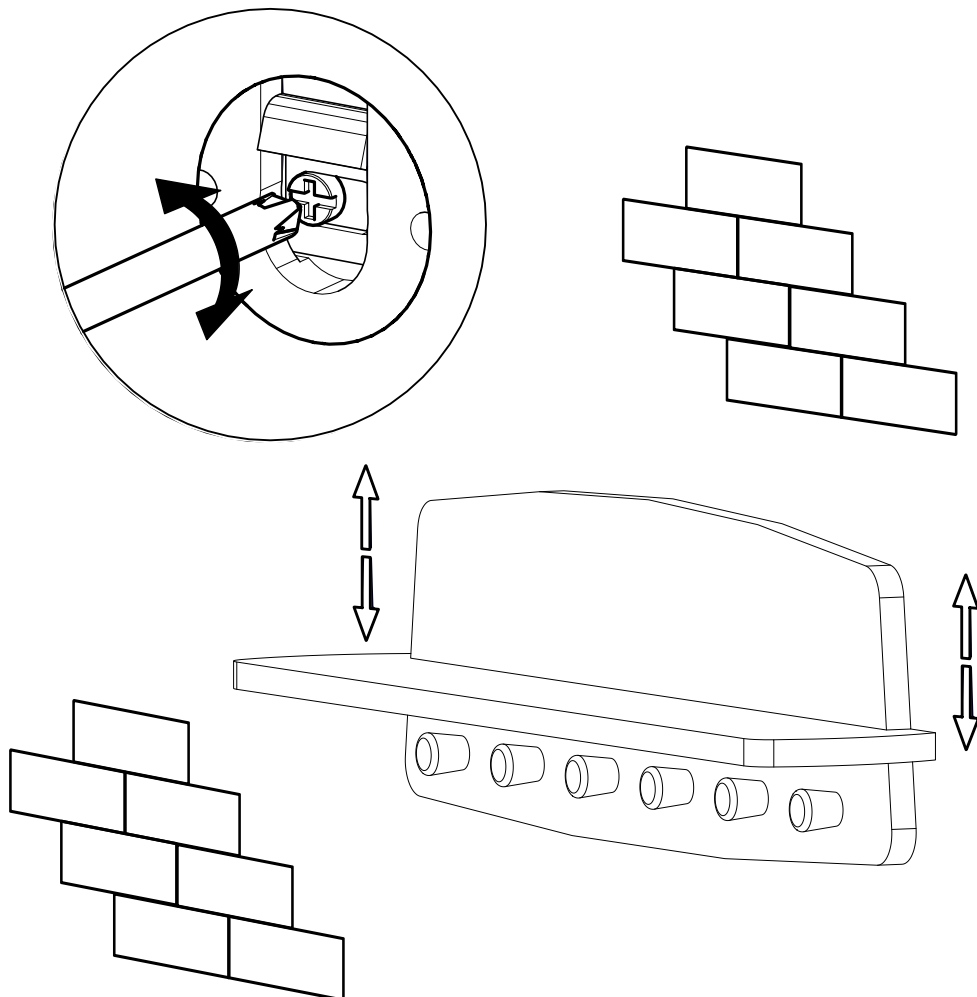
Step 5:



i



i



Warnings & Instructions

For Safe Use & Maintenance

WARNING:

- No wall attachment fittings are supplied with the shelf. ensure that the fittings used to hang the shelf are correct for the type of wall to which the shelf is to be fixed. Ensure that the wall you select is suitable for attaching the shelf and that the wall and the wall attachment fittings are capable of withstanding the forces generated
- The shelf may present a hazard if is it not correctly installed
- The installation of the shelf must be carried out by a competent person. If in any doubt about the installation consult a professional
- Regularly check all the wall shelf's screws and fittings to make sure they are tight and that the wall shelf is not damaged
- Do not fix your wall shelf in the close proximity of an open fire or other sources of heat, such as radiators, electric or gas fires
- Wood is a natural product and as such one of its charms is the occasional variation in colour and marking. These marks are not defect and do not detract from the strength or performance of your shelf.

WARNING:

- Check the heads on the fittings are the correct size, so that the head will fit in to the wide end of the hanger plates slot but cannot be pulled through the gap in the hanger plates
- Check you are using the correct size drill bit for the fittings
- Check that the marks on the wall for the fittings' hole are level using a spirit level before drilling into the wall
- Double check all measurements before drilling and holes
- When fitted to the wall, the heads on the fittings must protrude the corrcte distance so that they can be slotted into the slots on the hanger rails.
- In order to prevent falling down this product must be used with the wall attachment device provided
- Do not use the product if any part is broken, damaged, torn or missing.
- Do not locate or position this shelf unit where it provides a foothold or climbing aid or creates a danger of strangulation
- Your shelf unit can be cleaned by wiping with a damp cloth and drying immediately with a soft clean cloth.
- Do not use abrasives, bleach, alcohol or ammonia based household polishes.

IMPORTANT: KEEP THESE INSTRUCTIONS FOR FUTURE REFERENCE

Silver Cross[®]

Silver Cross (UK) Ltd, Micklethorn, Broughton, Skipton, North Yorkshire, BD23 3JA

silvercrossbaby.com

IND.1124404

IM-CMB-210202-06r03