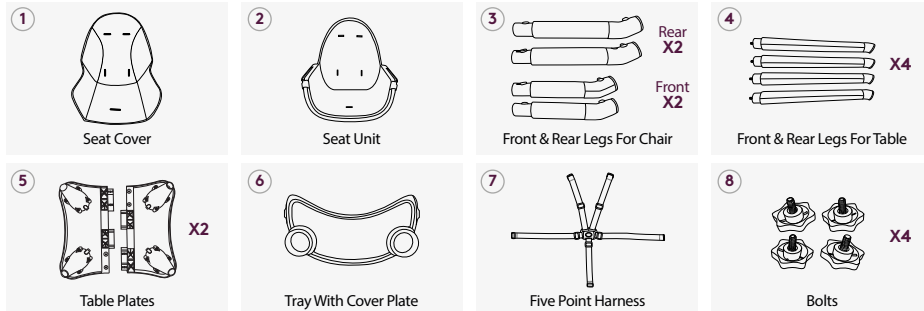
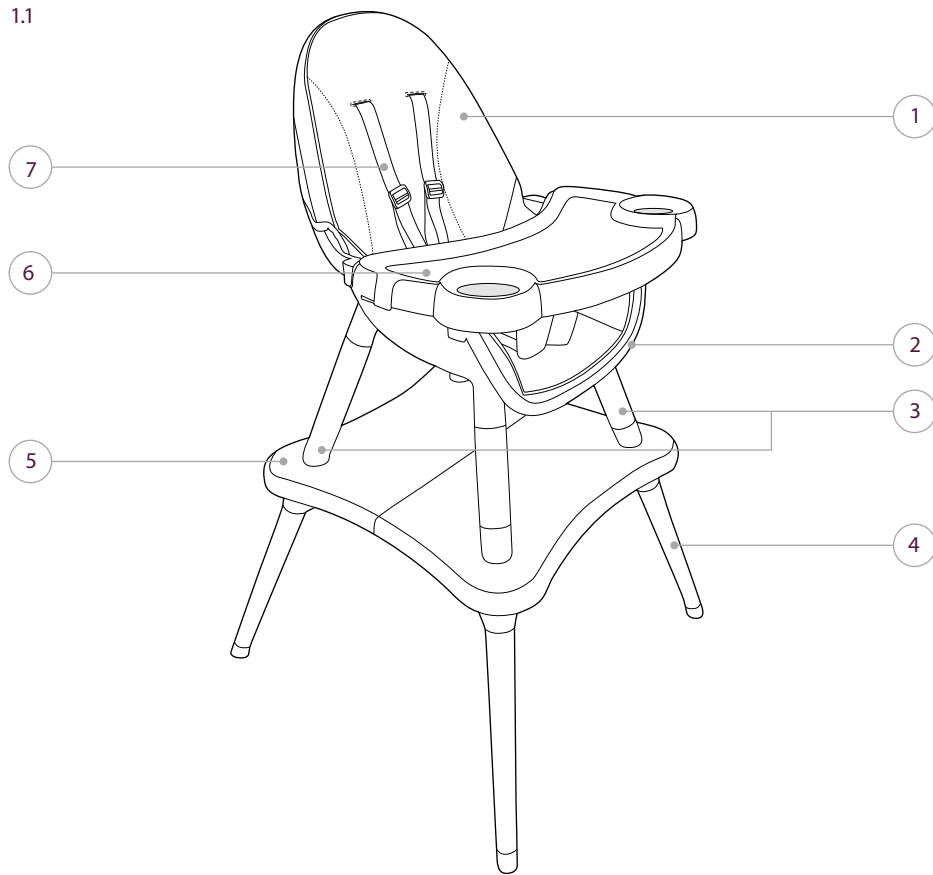


Silver Cross[®]

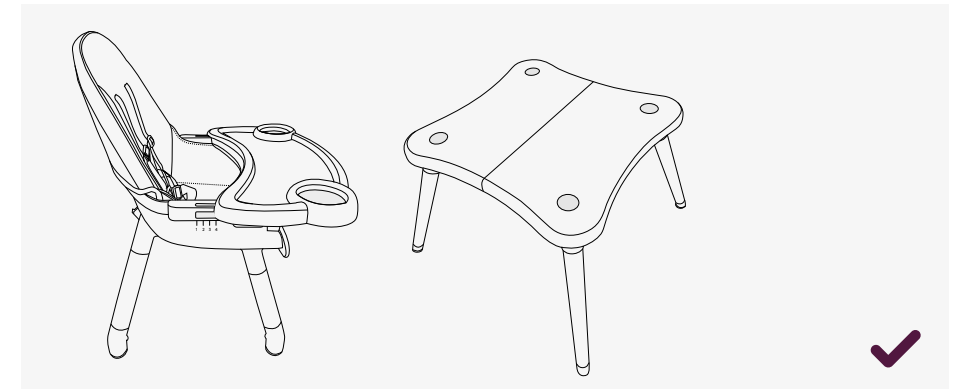
EAT&PLAY

High Chair
Instruction Manual

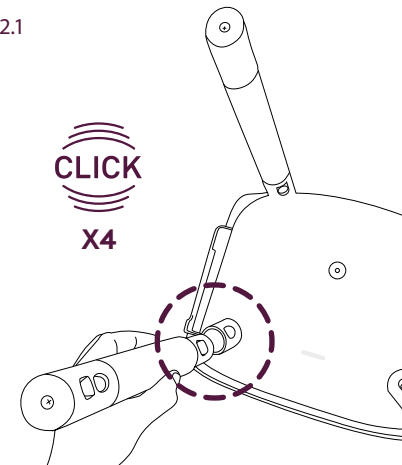
**IMPORTANT – READ CAREFULLY AND
KEEP FOR FUTURE REFERENCE**



CHILD CHAIR AND TABLE:

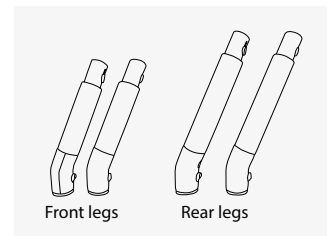


2.1

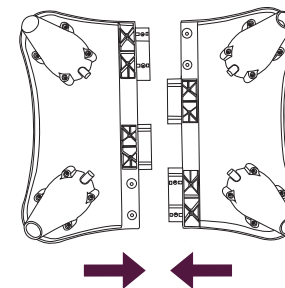


Assembly

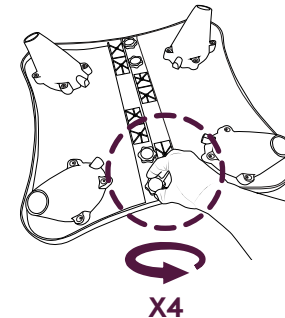
Insert the front two legs into two front holes at the bottom of the seat unit until the pin clicks into place. Insert the rear two legs in the same way.



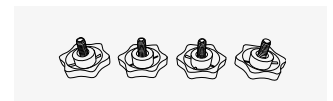
3.1



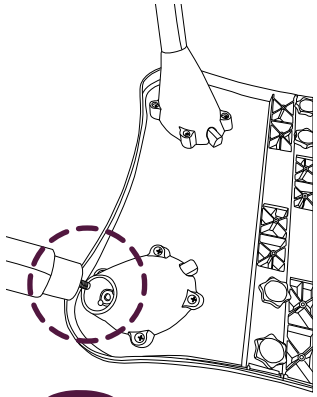
3.2



Connect the table plates together using 4 bolts.

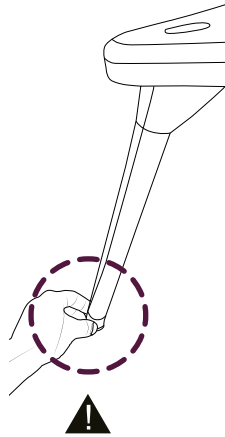


4.1

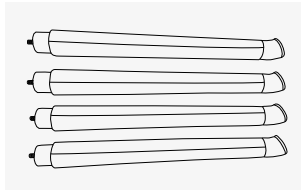


X4

4.2

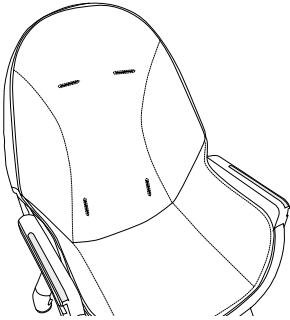


Screw the table legs into the holes on the underside of the table.



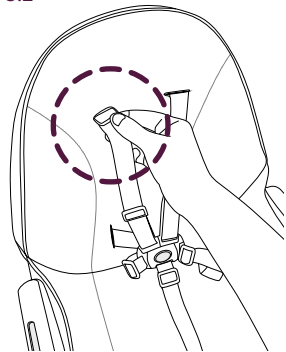
Ensure that the feet are in the correct position on the ground. If necessary, rotate the feet to make full contact with the ground.

5.1

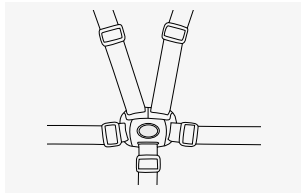
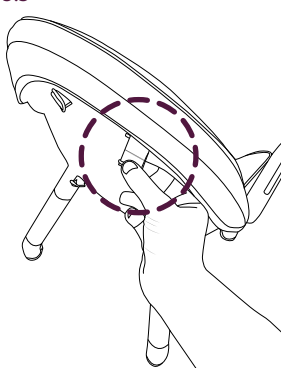


Slide the seat cover onto the seat unit. Line up the harness slots on the seat cover with the harness slots on the seat unit. Pass the shoulder harness fixings through the upper slots, waist harness fixings through the lower slots and the crotch strap fixing through the slot on the seat base.

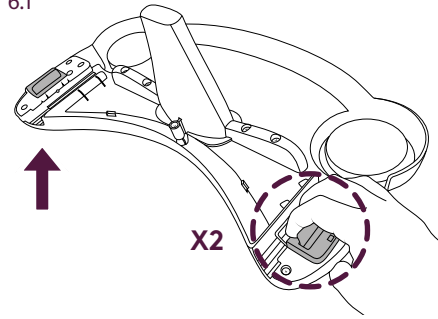
5.2



5.3



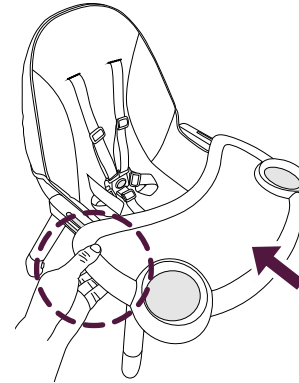
6.1



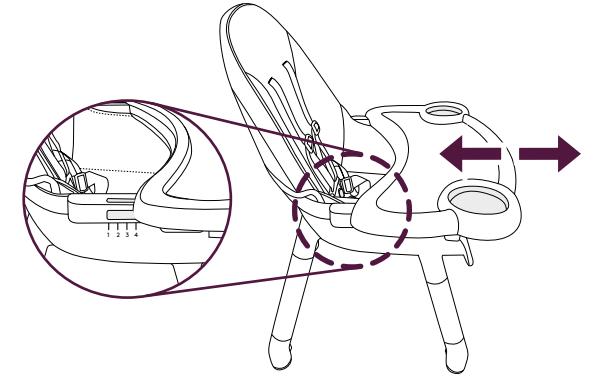
Locate the tray latches on either side of the tray and pull outwards. Slide the tray into the desired position on the slots on the seat unit armrests and release the latches.

The tray can be locked in 4 positions. Use the latches to adjust the position of the tray.

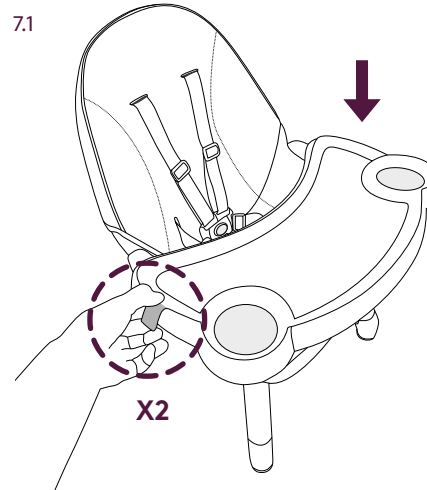
6.2



6.3

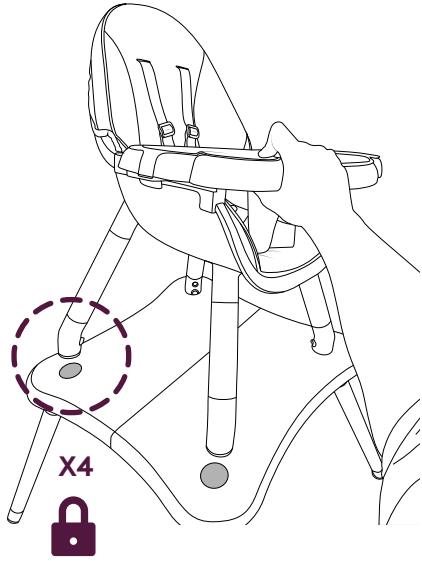


7.1

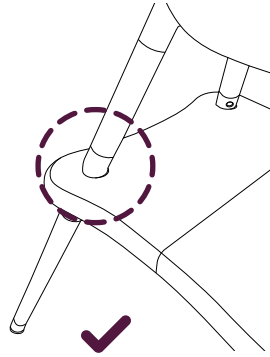


The tray cover can be removed by releasing 2 catches at either side of the cover and pulling upwards.

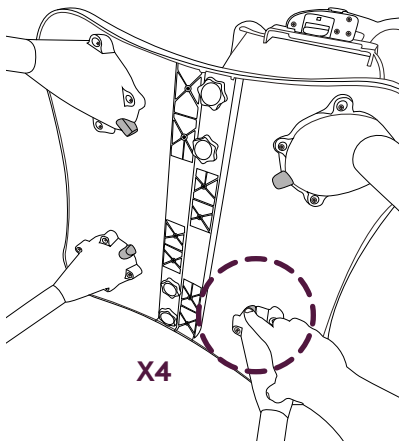
8.1



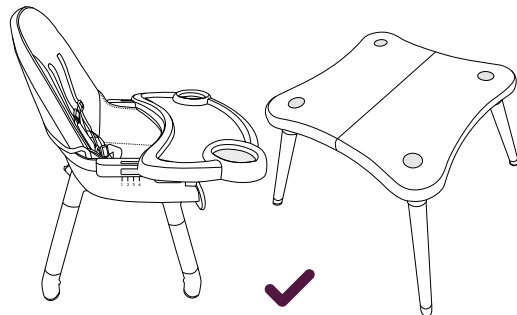
To connect the chair to the table, locate the 4 holes on the table and connect the 4 chair legs into the holes until they lock into place securely.



9.1

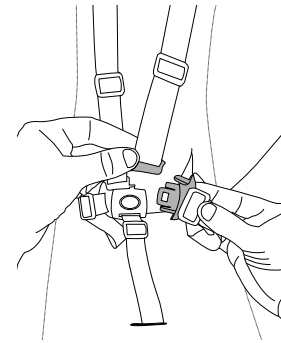


To separate the chair from the table, locate the 4 buttons on the underside of the table. Push each button to release each chair leg from the table.

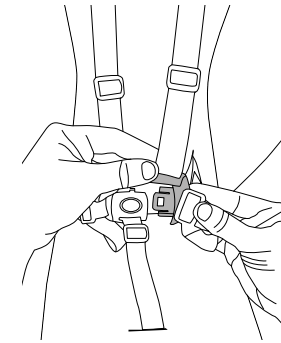


HARNESS SYSTEM ADJUSTMENT

10.1



10.2



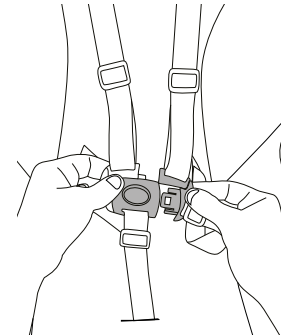
To secure the harness, connect the shoulder and waist straps and push into buckle until they click into place. Repeat for both sides of harness.

To release the harness, press the buckle button.

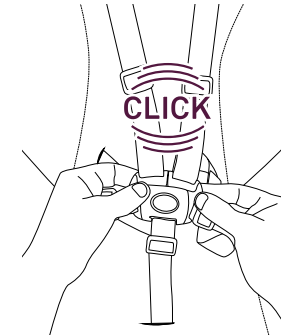
Slide the harness adjusters to secure your child comfortably.

The harness can be removed for cleaning purposes. Pass each harness fixing back through the slots in the seat unit and seat cover.

10.3



10.4



IMPORTANT – READ CAREFULLY AND KEEP FOR FUTURE REFERENCE

CAUTION:

Read these instructions carefully before assembly and use and keep for future reference. The child may be hurt if you do not follow these instructions.

WARNINGS:

NEVER LEAVE THE CHILD UNATTENDED.

ALWAYS USE THE RESTRAINT SYSTEM.

FALLING HAZARD:

PREVENT YOUR CHILD FROM CLIMBING ON THE PRODUCT.

FALLING HAZARD: PREVENT YOUR CHILD FROM CLIMBING ON OR STANDING ON THE TABLE.

DO NOT USE THE PRODUCT UNLESS ALL COMPONENTS ARE CORRECTLY FITTED AND ADJUSTED.

BE AWARE OF THE RISK OF OPEN FIRES AND OTHER SOURCES OF STRONG HEAT IN THE VICINITY OF THE PRODUCT.

BE AWARE OF THE RISK OF TILTING WHEN YOUR CHILD CAN PUSH ITS FEET AGAINST A TABLE OR ANY OTHER STRUCTURE.

ALWAYS CHECK THE SECURITY AND THE STABILITY OF PRODUCT BEFORE USE.

MAKE SURE THAT ANY HARNESS IS CORRECTLY FITTED.

DO NOT MOVE OR LIFT THE PRODUCT WHILE THE CHILD IS INSIDE.

DO NOT USE THE PRODUCT UNTIL THE CHILD CAN SIT UP UNAIDED.

KEEP CHILDREN AWAY WHEN ASSEMBLING AND DISASSEMBLING THE PRODUCT TO AVOID INJURY.

HIGH CHAIR IS INTENDED FOR CHILDREN FROM APPROXIMATELY 6 MONTHS TO 3 YEARS OR A MAXIMUM WEIGHT OF 15KG.

MAXIMUM CAPACITY FOR TABLE: 15KG.

POSITION THE HIGH CHAIR ON A FLAT, EVEN AND HORIZONTAL FLOOR AND DO NOT ELEVATE THE HIGH CHAIR ON ANY STRUCTURE OR TABLE.

DO NOT USE THE PRODUCT IF ANY PART IS BROKEN, TORN OR MISSING.

PRODUCT LOCATED UNDER A WINDOW COULD BE USED AS A STEP BY THE CHILD AND CAUSE THE CHILD TO FALL OUT OF THE WINDOW.

MAINTENANCE:

The product requires regular maintenance to keep it in good working order. Regular check all parts of the product to ensure that they are operating correctly and for signs of wear or damage.

Moving parts may be lubricated with a light silicone oil. Do not use this product if any part is broken, torn or missing and use only spares provided by the manufacturer.

Only replacement parts supplied or recommended by the manufacturer should be used.

CLEANING:

Chair and table: Wash with a clean and damp cloth and mild soap.

Seat cover and belts: Wash in hands. Do not bleach. Do not tumble-dry. Do not dry clean.

IM-TAD-230221-01103 - Silver Cross Eat&Play High Chair IM



UK

Silver Cross (UK) Ltd.
Micklethorn, Broughton, Skipton,
North Yorkshire BD23 3JA

EU/PACIFIC

Silver Cross (Pacific) Ltd.
Office 527, Lee Garden Three,
1 Sunning Road, Causeway Bay,
Hong Kong

Silver Cross®

silvercrossbaby.com