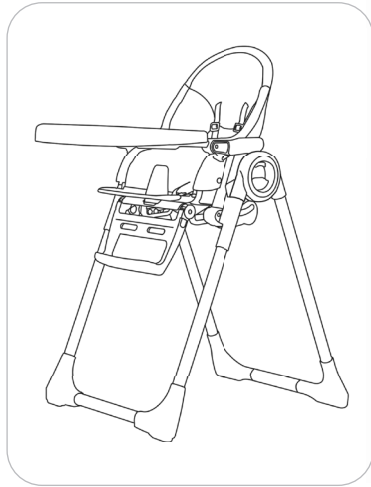


Silver Cross[®]

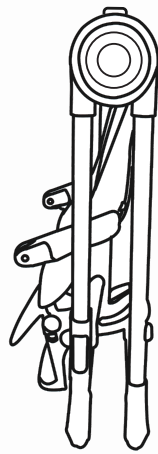
GOURMET

High Chair
Instruction Manual

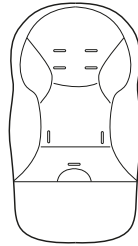
**IMPORTANT – READ THE INSTRUCTIONS CAREFULLY
BEFORE USE AND KEEP FOR FUTURE REFERENCE**



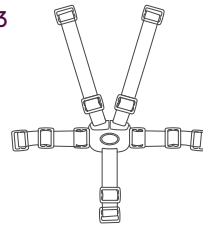
1.1



1.2



1.3



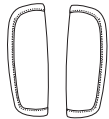
1.4



1.5



1.6



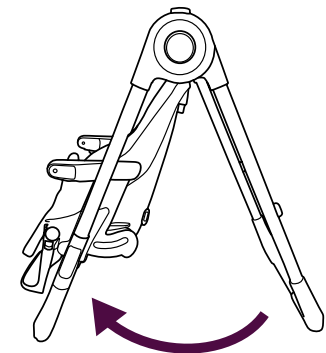
Contents

First check all your parts have been supplied.
Your High Chair includes:

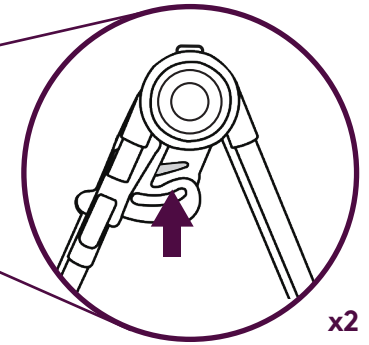
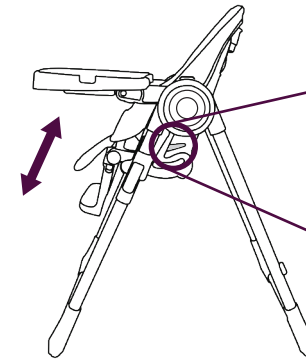
- 1.1 High Chair
- 1.2 Seat fabric
- 1.3 Harness
- 1.4 Tray Cover
- 1.5 Tray

- 1.6 Harness Pads (2x)

2.1

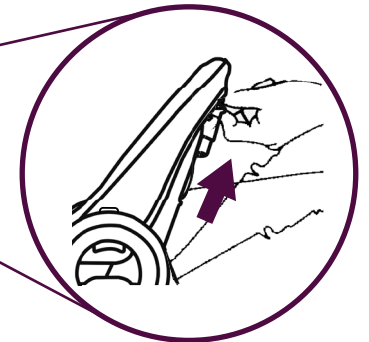
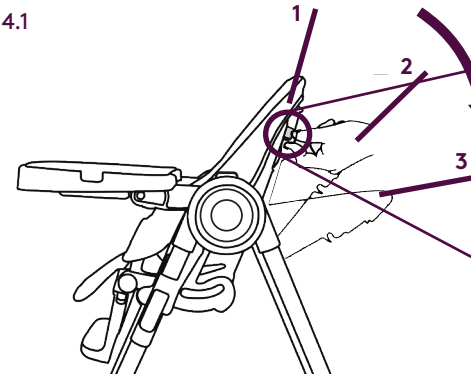


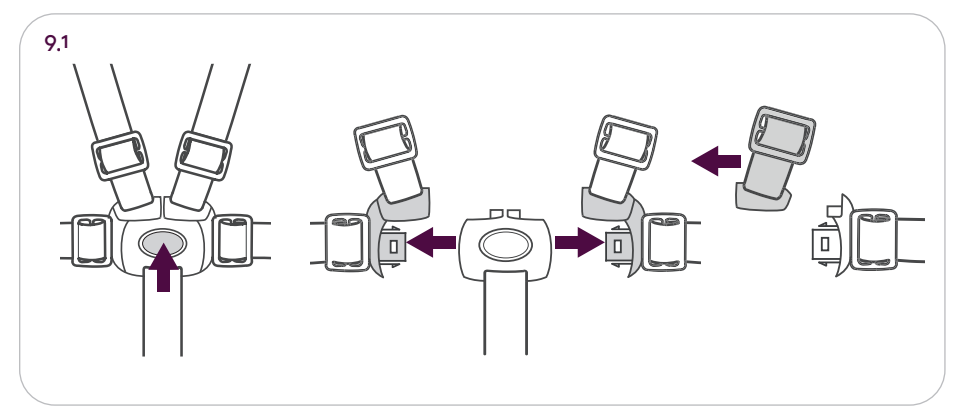
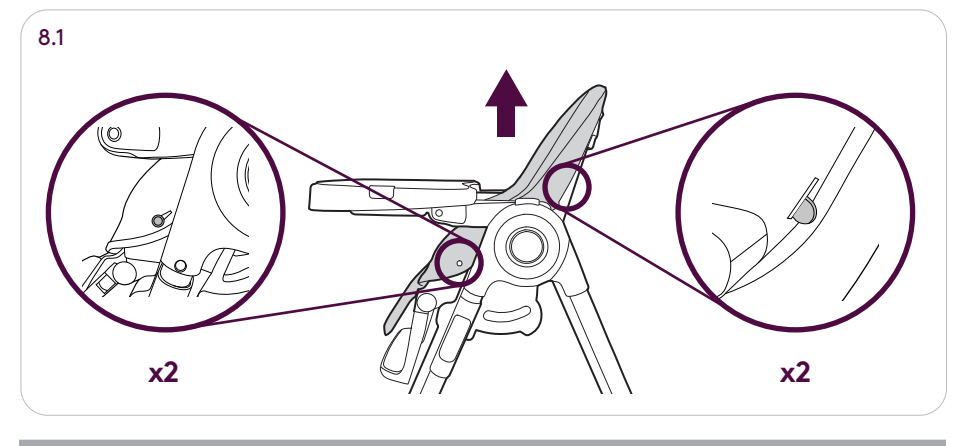
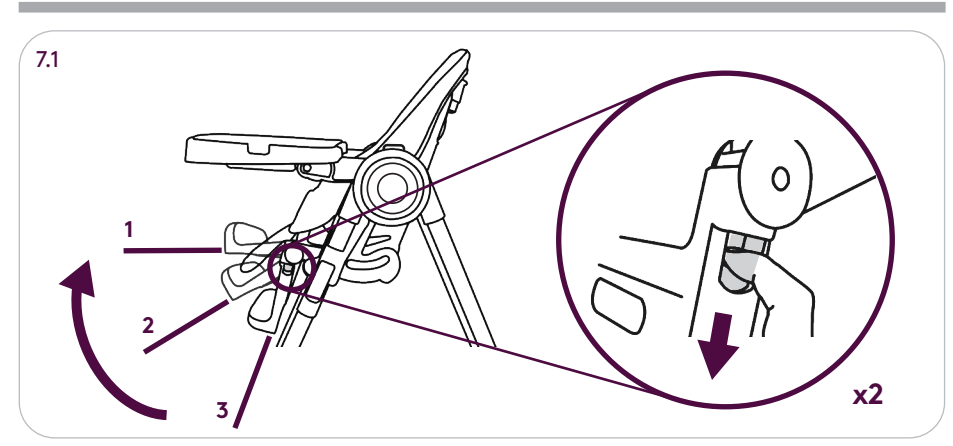
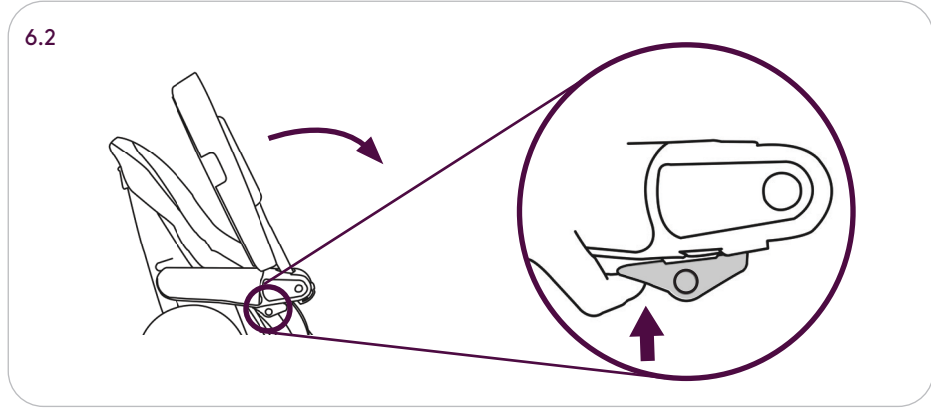
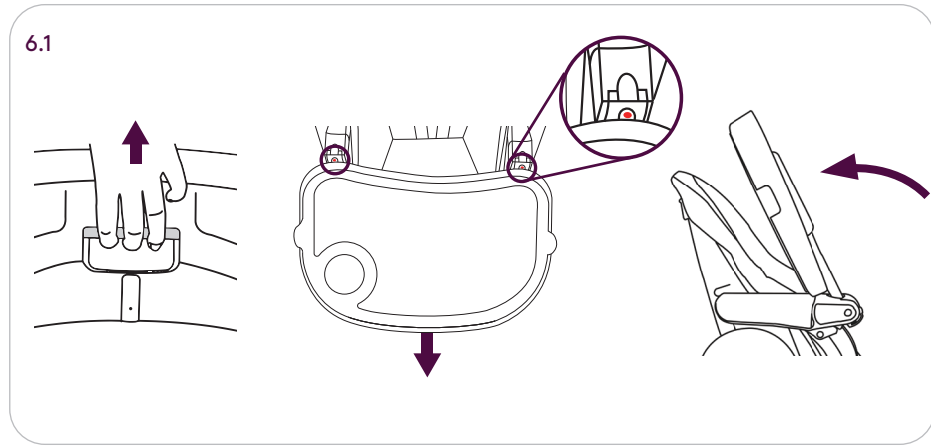
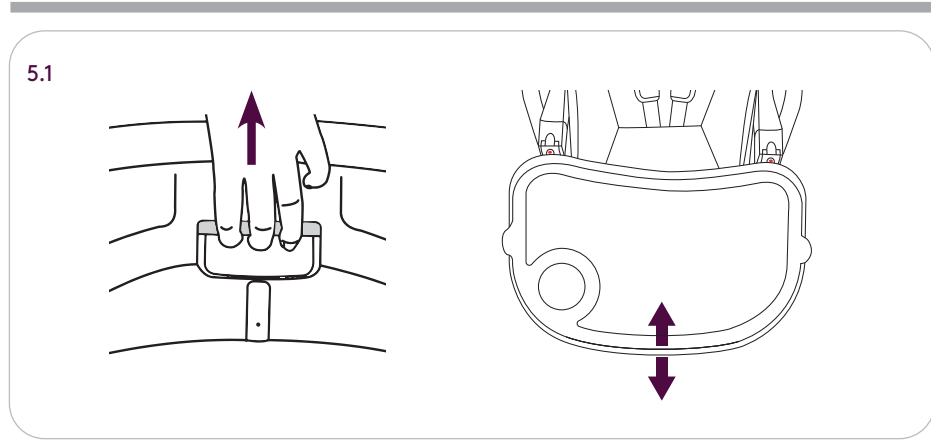
3.1

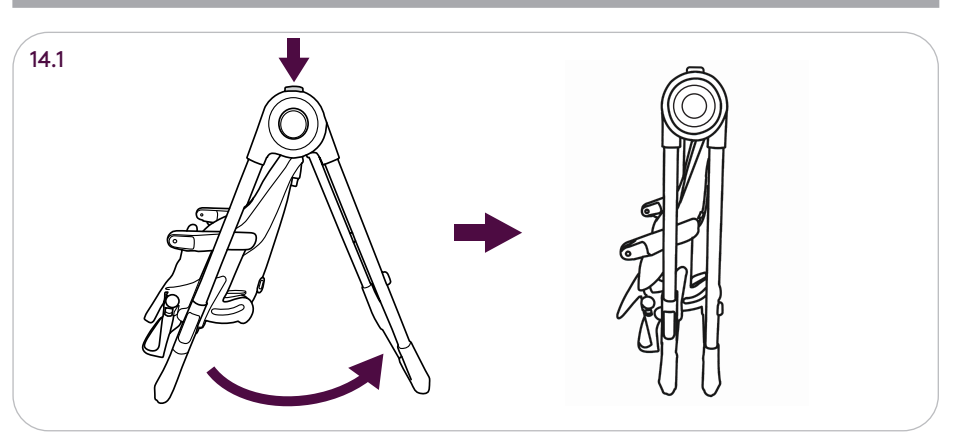
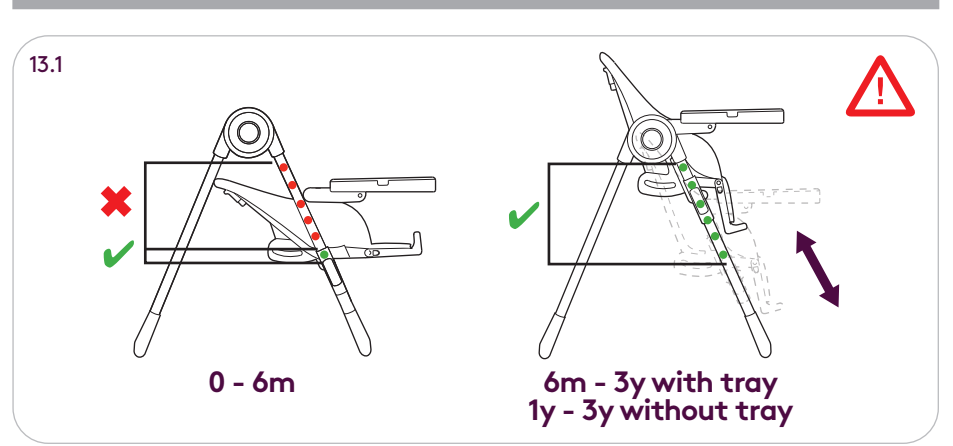
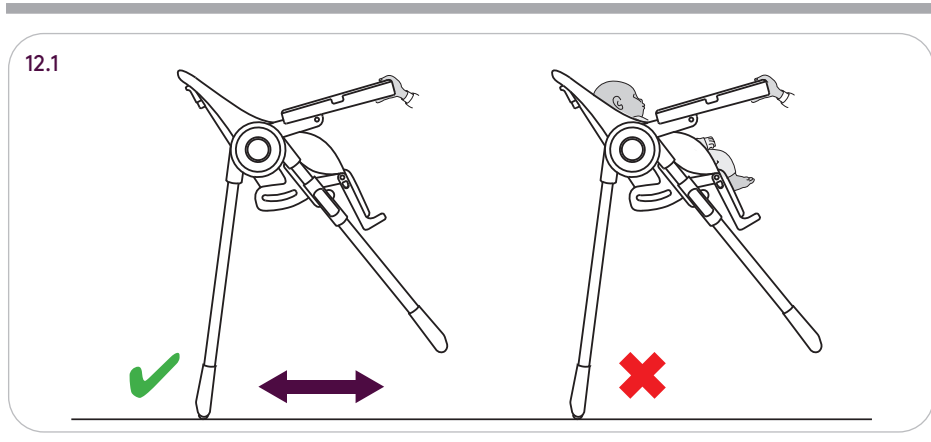
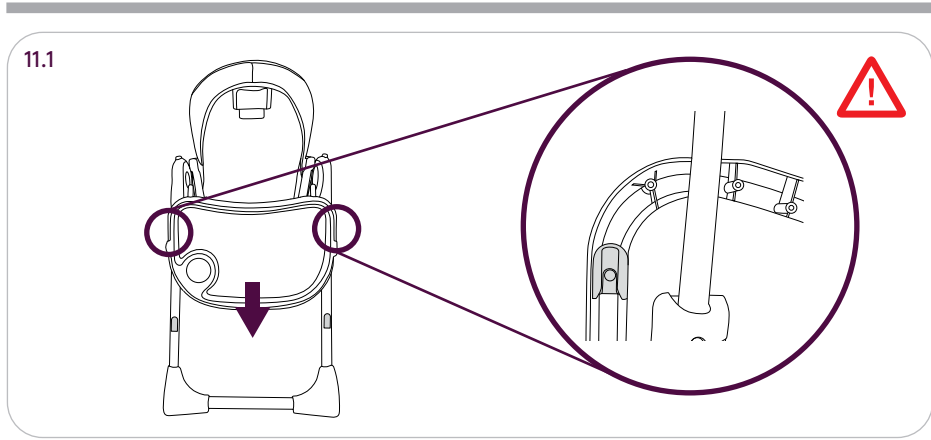
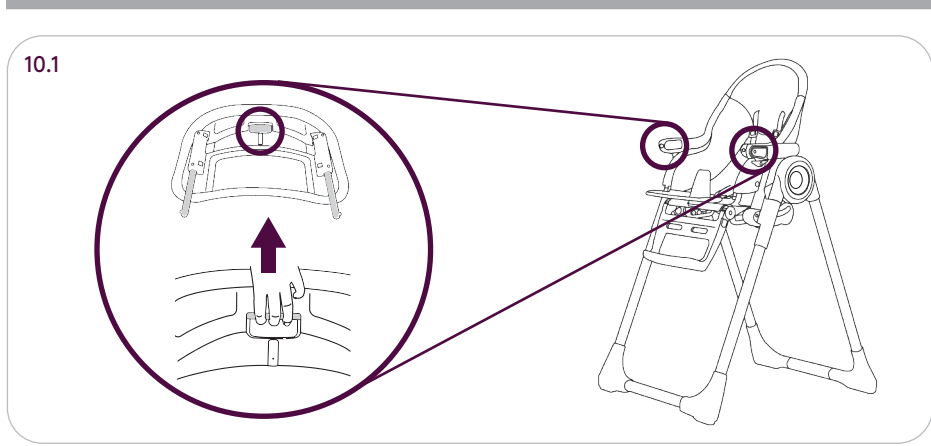


x2

4.1







Safety Notes

These instructions are important.

Read these instructions before use and keep them for future reference. Your child's safety may be affected if you do not follow these instructions.

RECLINED CRADLE MODE - BACKREST RECLINED IN LOWEST HEIGHT POSITION ONLY

This mode is suitable from birth up to 9kg or 6 months old, whichever comes first. It complies with EN12790:2009.

WARNING:

NEVER LEAVE THE CHILD UNATTENDED.

DO NOT USE THE RECLINED CRADLE ONCE YOUR CHILD CAN SIT UNAIDED.

THE RECLINED CRADLE IS NOT INTENDED FOR PROLONGED PERIODS OF SLEEPING.

IT IS DANGEROUS TO USE THE RECLINED CRADLE ON AN ELEVATED SURFACE, E.G. A TABLE.

ALWAYS USE THE RESTRAINT SYSTEM.

NEVER USE THE TOY BAR TO CARRY THE RECLINED CRADLE.

MAXIMUM WEIGHT: 9KG

THIS RECLINED CRADLE DOES NOT REPLACE A COT OR A BED. SHOULD YOUR CHILD NEED TO SLEEP, THEN IT SHOULD BE PLACED IN A SUITABLE COT OR BED.

DO NOT USE THE RECLINED CRADLE IF ANY COMPONENTS ARE BROKEN OR MISSING.

DO NOT USE ACCESSORIES OR REPLACEMENT PARTS OTHER THAN THOSE APPROVED BY THE MANUFACTURER.

HIGH CHAIR MODE - BACKREST RECLINED AND UPRIGHT IN ALL HEIGHT POSITIONS

This mode with tray is suitable from 6 months to 15kg or 3 years old, whichever comes first.

This mode without tray is suitable from 12 months to 15 kg or 3 years old, whichever comes first. It complies with EN14988:2017+A1:2020.

WARNING:

NEVER LEAVE THE CHILD UNATTENDED.

ALWAYS USE THE RESTRAINT SYSTEM.

FALLING HAZARD: PREVENT YOUR CHILD FROM CLIMBING ON THE PRODUCT.

DO NOT USE THE PRODUCT UNLESS ALL COMPONENTS ARE CORRECTLY FITTED AND ADJUSTED.

BE AWARE OF THE RISK OF OPEN FIRES AND OTHER SOURCES OF STRONG HEAT IN THE VICINITY OF THE PRODUCT.

BE AWARE OF THE RISK OF TILTING WHEN YOUR CHILD CAN PUSH ITS FEET AGAINST A TABLE OR ANY OTHER STRUCTURE.

NOT TO USE THE PRODUCT UNTIL THE CHILD CAN SIT UP UNAIDED.

NOT TO USE THE PRODUCT IF ANY PART IS BROKEN, TORN OR MISSING.

KEEP CHILDREN AWAY WHEN UNFOLDING AND FOLDING THE PRODUCT TO AVOID INJURY.

THIS HIGH CHAIR IS INTENDED FOR CHILDREN ABLE TO SIT UP UNAIDED AND UP TO 3 YEARS OR A MAXIMUM WEIGHT OF 15 KG.

Cleaning and maintenance

PRODUCT MAINTENANCE:

Protect from the weather: water, rain, or snow; prolonged and continuous exposure to bright sunlight may give rise to colour changes of various different materials; store this product in a dry place. The maintenance have to be regularly.

CLEANING THE FRAME:

Periodically clean all plastic parts with a damp cloth. Do not use solvent or similar cleaning products; keep all metal parts dry to prevent rusting; keep moving parts clean (adjustment mechanisms, locking mechanisms, wheels, etc) and free of dust and sand and if necessary, lubricate with light machine oil all metallic moving parts. Check all nuts and bolts for tightness and tighten when required. Check all coverings for bolts and sharp edges and replace when required. Check slightly swing seat and attachments for evidence of deterioration. Replace when required in accordance with the manufacturer's instructions.

CLEANING THE FABRIC:

Wash with a damp cloth and neutral detergent. Do not wring. Do not use chlorine bleach. Do not iron. Do not dry clean. Do not use solvents for stain removal. Do not spin dry.



The logo for Silver Cross, featuring the brand name in a stylized, cursive script.**UK**

Silver Cross (UK) Ltd.
Micklethorn, Bwroughton, Skipton,
North Yorkshire BD23 3JA

EU/PACIFIC

Silver Cross (Pacific) Ltd.
Office 527, Lee Garden Three,
1 Sunning Road, Causeway Bay,
Hong Kong

Silver Cross[®]

silvercrossbaby.com