

Silver Cross[®]

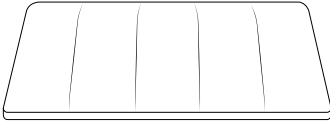
Lunar

Bedside Crib
Instruction Manual

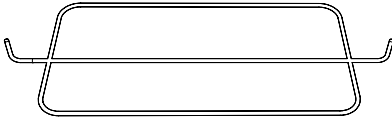
IMPORTANT! READ CAREFULLY AND KEEP FOR FUTURE REFERENCE

Contents

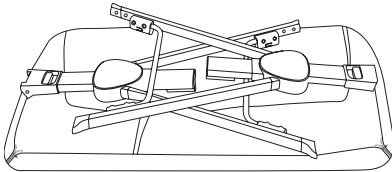
First check all your parts have been supplied.
Your Lunar Bedside Crib includes:



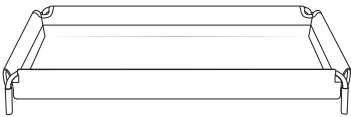
Mattress
X1



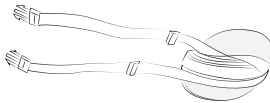
Mattress Support Frame
X1



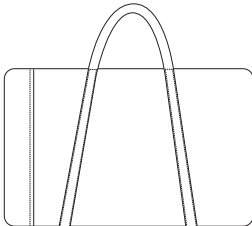
Bedside Crib
X1



Storage Basket
X1



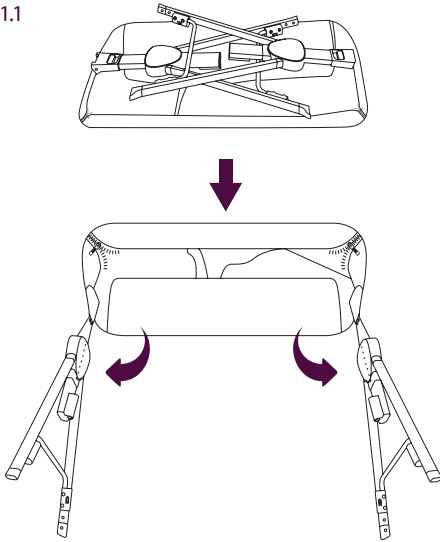
Anchor straps
X1



Carry Bag
X1

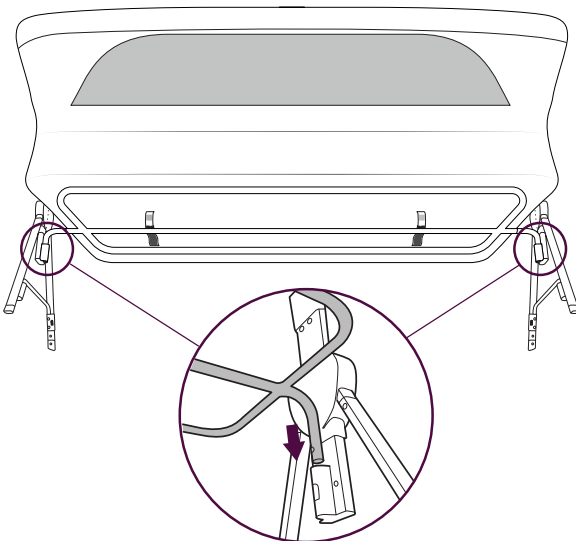
Assembling your Lunar Bedside Crib

1.1



Lay the Bedside Crib on the floor, unfold the legs and turn the Bedside Crib around to stand on floor.

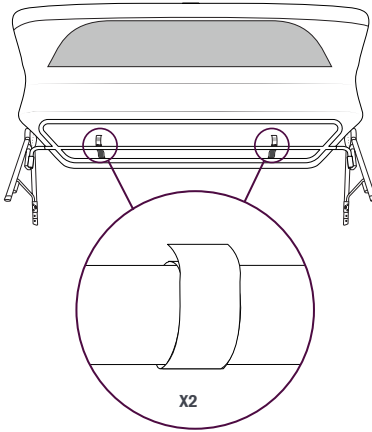
1.2



Locate the slots for the Mattress Support Frame on the underside of the Bedside Crib.

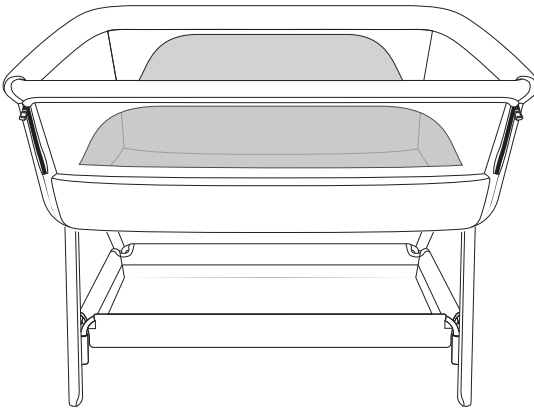
Push the Mattress Support Frame into the slots on the Bedside Crib.

1.3



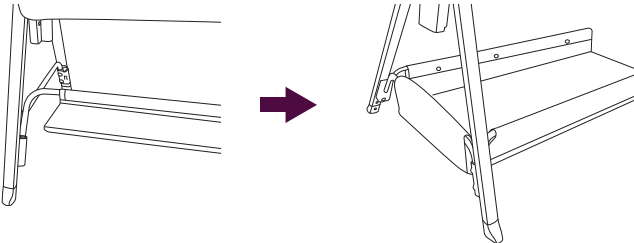
Secure the underside of the Bedside Crib to the Mattress Support Frame by wrapping the 2x velcro straps around the frame.

1.4

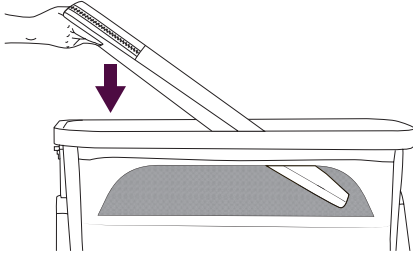


Locate the slots for the Storage Basket frame on the lower legs of the Bedside Crib.

Push the Storage Basket frame into the 4x slots, ensuring they lock into place.



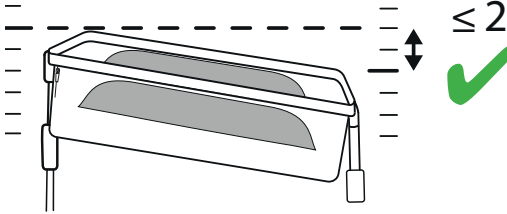
1.5



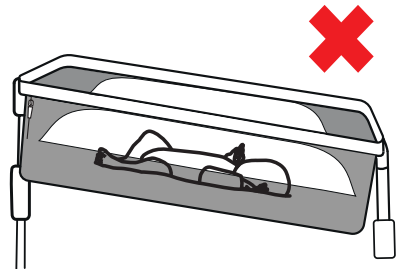
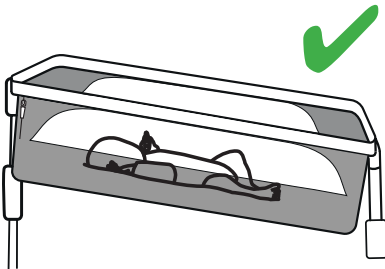
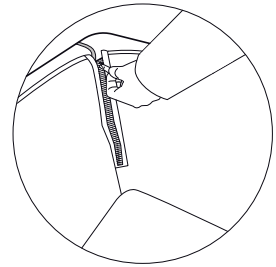
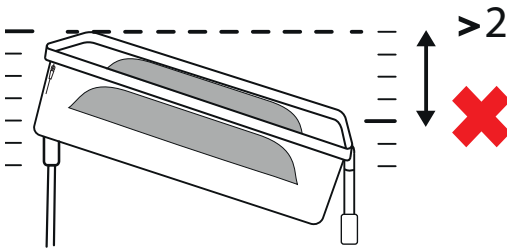
Place the mattress inside the Bedside Crib.

Cradle Mode

2.1

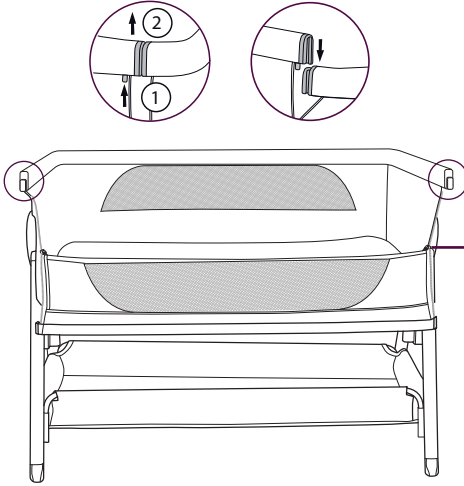


When the product is used in cradle mode, the zip should be closed completely.

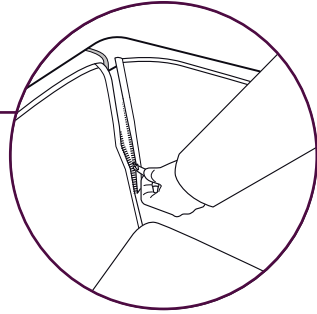


Bedside Mode

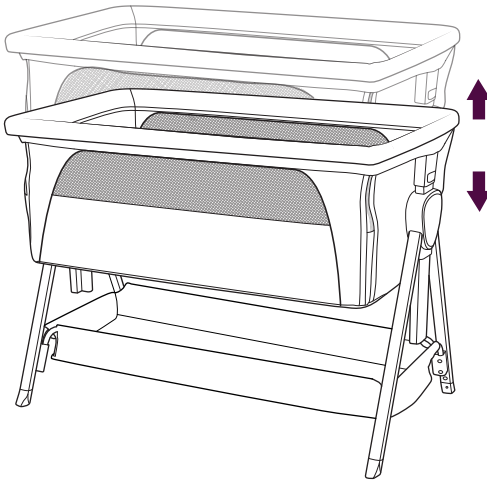
3.1



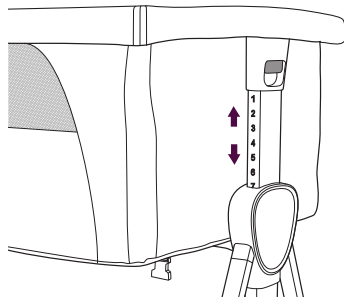
Unzip the drop-side fabric on the Bedside Crib and press the buttons on the underside of the upper frame on both sides, then lift the rail up and let it drop to the side of the Bedside Crib.



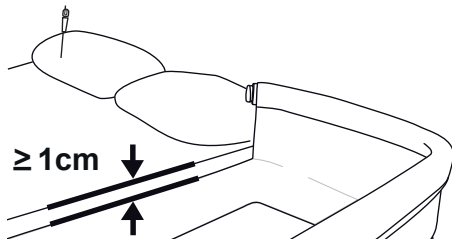
3.2



There are 7x height adjustable positions for the Bedside Crib. These can be adjusted using the levers on both sides of the Bedside Crib. Either lift up or push down to the desired position.

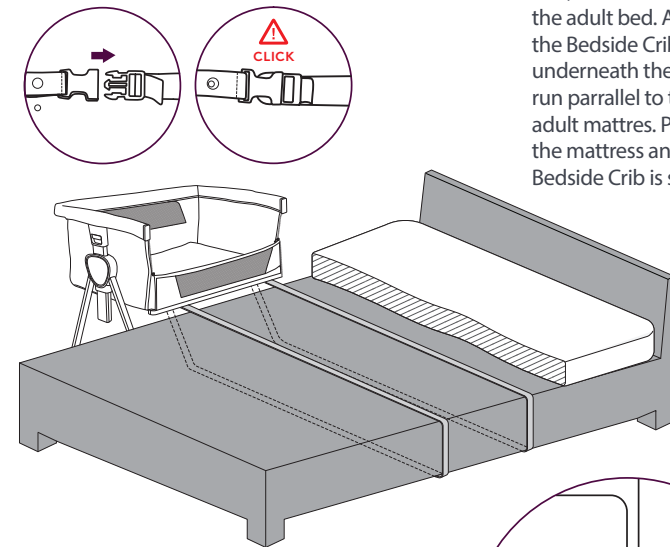


3.3

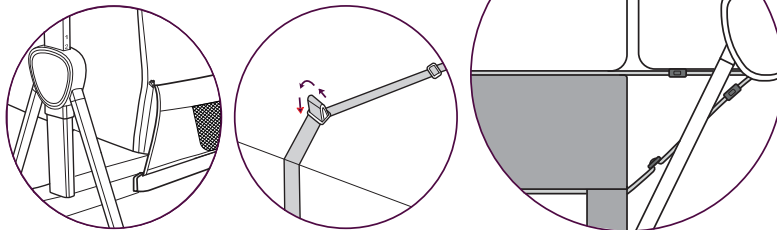


Position the Bedside Crib opening to face the bed. Adjust the height so that the top of the folded over section is level with the top of the mattress.

3.4



To fix the Bedside Crib to the adult bed, remove the mattress from the adult bed. Attach the straps to the Bedside Crib using the buckles underneath the base. Straps should run parallel to the underside of the adult mattress. Pass the straps under the mattress and tighten until the Bedside Crib is secure.



IMPORTANT – READ CAREFULLY AND KEEP FOR FUTURE REFERENCE

WARNING:

DO NOT USE THIS PRODUCT WITHOUT READING THE INSTRUCTION FOR USE FIRST.

FOLLOW THE INSTRUCTIONS VERY CAREFULLY FOR USE. INCORRECT ASSEMBLY OF THE PARTS OR IMPROPER USE OF THE CRIB MAY PUT YOUR BABY'S SAFETY AT SERIOUS RISK.

THE PRODUCT CAN BE USED AS A TRADITIONAL CRIB (CRIB MODE) WITH ZIP CLOSED COMPLETELY, OR SECURED TO AN ADULT BED WITH THE SIDE OPEN (BEDSIDE MODE).

STOP USING THE PRODUCT AS SOON AS THE CHILD CAN SIT OR KNEEL OR PULL ITSELF UP.

ALWAYS PLACE THE CRIB ON A FLAT, HORIZONTAL FLOOR.

YOUNG CHILDREN SHOULD NOT BE ALLOWED TO PLAY UNSUPERVISED IN THE VICINITY OF THE CRIB.

APPLY THE BRAKES ON THE CRIB WHENEVER IT IS IN USE.

ALWAYS CHECK THAT BABY'S HEAD IS HIGHER THAN HIS FEET.

DO NOT USE CRIB IF ANY PARTS ARE MISSING, DAMAGED, OR BROKEN. CONTACT SILVER CROSS FOR REPLACEMENT PARTS AND INSTRUCTIONAL LITERATURE IF NEEDED. DO NOT SUBSTITUTE PARTS.

ALL THE ASSEMBLY PARTS MUST ALWAYS BE TIGHTENED PROPERLY. MAKE SURE THAT NONE OF THE SCREWS IS LOOSE AS PART OF THE BABY'S BODY OR CLOTHING (FOR EXAMPLE LACES, NECKLACES, RIBBONS FOR DUMMIES, ETC.) COULD GET CAUGHT ON IT AND THIS COULD LEAD TO THE RISK OF STRANGULATION. NEVER USE THE BODY OF THE CRIB WITHOUT THE FRAME.

BE AWARE OF THE RISK OF BURNING CIGARETTES, OPEN FIRES AND OTHER SOURCES OF STRONG HEAT, SUCH AS ELECTRIC BAR FIRES, GAS FIRES, ETC. IN THE NEAR VICINITY OF THE CRIB.

ONLY USE THE MATTRESS SOLD WITH THIS CRIB, DO NOT ADD A SECOND MATTRESS ON THIS ONE, SUFFOCATION HAZARDS.

DO NOT USE MORE THAN ONE MATTRESS ON THE PRODUCT. MAXIMUM THICKNESS 24MM. THE THICKNESS OF THE MATTRESS USED MUST BE SUCH THAT THE INSIDE VERTICAL HEIGHT (THE DISTANCE FROM THE TOP OF THE MATTRESS TO THE TOP OF CRIB SIDES) IS AT LEAST 220 MM.

DO NOT PLACE THE PRODUCT CLOSE TO ANOTHER PRODUCT, WHICH COULD PRESENT A DANGER OF SUFFOCATION OR STRANGULATION , E.G. STRINGS, BLIND/CURTAIN CORDS, ETC.

NEVER USE THE CRIB FOR MORE THAN ONE BABY AT A TIME. THE CRIB OPENING, ADJUSTMENT, SECURING AND POSITIONING OPERATIONS MUST BE PERFORMED BY AN ADULT. DO NOT PERFORM THE CRIB OPENING, ADJUSTMENT SECURING AND POSITIONING OPERATIONS WITH BABY INSIDE THE CRIB. ONLY USE ORIGINAL SPARE PARTS. ONLY USE ORIGINAL ACCESSORIES.

DO NOT LEAVE ANY OBJECTS IN THE CRIB THAT REDUCE ITS DEPTH. DO NOT LEAVE ANY OBJECTS WITH CORDS INSIDE THE CRIB AS THEY COULD LEAD TO A RISK OF SUFFOCATION OR STRANGULATION.

PLACING ADDITIONAL ITEMS IN THE PRODUCT MAY CAUSE SUFFOCATION.

ALWAYS LOCK THE CASTORS WITH THE BRAKES WHEN BABY IS INSIDE THE CRIB.

THE CRIB SHOULD BE LOCKED IN THE FIXED POSITION WHEN THE CHILD IS LEFT UNATTENDED.

BEDSIDE MODE

THE CRIB MUST BE USED IN THE BEDSIDE MODE ONLY AFTER IT HAS BEEN FIRMLY SECURED TO AN ADULT BED.

IN THE BEDSIDE MODE, THE SIDE OF THE CRIB MUST ALWAYS ADHERE TO THE MATTRESS.

DO NOT USE THE ATTACHMENT SYSTEM OTHER THAN THAT SUPPLIED WITH THE PRODUCT.

USE ONLY THE ATTACHMENT SYSTEM PROVIDED BY THE MANUFACTURER.

CHECK THE TIGHTNESS OF THE ATTACHMENT SYSTEM BEFORE EACH USE BY PULLING THE BEDSIDE SLEEPER IN A DIRECTION AWAY FROM ADULT BED.

THERE SHALL NEVER BE A GAP BETWEEN THE LOWER SIDE OF THE BEDSIDE SLEEPER AND THE MATTRESS OF THE ADULT BED.

TO AVOID HAZARD FROM THE CHILD'S NECK BEING CAUGHT ON THE TOP RAIL ON THE SIDE THAT IS NEXT TO THE ADULT BED, THE TOP RAIL MUST NOT BE HIGHER THAN THE ADULT BED MATTRESS.

TO AVOID THE RISK OF YOUR CHILD BEING STRANGLED THE ATTACHMENT SYSTEM TO THE ADULT'S BED SHALL ALWAYS BE KEPT AWAY FROM AND OUT OF THE CRIB.

ONLY USE THE CRIB IN THE BEDSIDE MODE WITH ADULT BEDS AND/OR MATTRESSES WITH STRAIGHT SIDES. DO NOT USE WITH ROUND BEDS OR MATTRESSES. DO NOT USE WITH WATER MATTRESSES. MINIMUM LENGTH OF THE ADULT BED: 90 CM.

ONLY USE THE CRIB IN THE BEDSIDE MODE IN THE HORIZONTAL POSITION. NEVER USE THE BEDSIDE SLEEPER IN AN INCLINED POSITION.

GAPS SHOULD NOT BE FILLED WITH PILLOWS, BLANKETS OR OTHER ITEMS.

DURING USE MAKE SURE THAT THE SHEETS AND COVERS OF THE ADULT BED DO NOT INVADE THE SPACE OF THE CRIB.

POSITION THE CRIB AT THE SIDE OF THE ADULT BED. DO NOT POSITION THE CRIB AT THE FOOT OR AT THE HEAD OF THE ADULT BED.

THIS BEDSIDE SLEEPER IS DESIGNED FOR USE ONLY WITH ADULT BEDS THAT ARE BETWEEN 40 AND 70 CM FROM FLOOR TO TOP OF ADULT MATTRESS.

DANGER! ALWAYS COMPLETELY RAISE THE DROP SIDE WHEN NOT ATTACHED TO THE ADULT'S BED.

DO NOT USE THE BEDSIDE SLEEPER IF ANY PARTS ARE MISSING, DAMAGED, OR BROKEN. CONTACT SILVER CROSS FOR REPLACEMENT PARTS AND INSTRUCTIONAL LITERATURE IF NEEDED. DO NOT SUBSTITUTE PARTS.

TO PREVENT A SUFFOCATION HAZARD FROM ENTRAPMENT, THE BEDSIDE SLEEPER SHALL BE PROPERLY SECURED TO THE ADULT BED USING THE ATTACHMENT SYSTEM.

IF THERE IS ANY GAP BETWEEN THE BEDSIDE SLEEPER AND THE ADULT BED DO NOT USE PRODUCT.

**THIS PRODUCT COMPLIES WITH EN1130:2019;
EN 16890:2017+A1:2021.**

USE OF BEDSIDE MODE ATTACHMENT SYSTEM

1. Open the zip at the sides of the dropside of the Crib.
2. Press the button to release the dropside and lift to release. Repeat the operation on both sides.
3. In the bedside mode, the Crib must be positioned so that there is never any space between the lower side of the Crib and the mattress of the adult bed. Line the Crib up with the adult bed.
4. Adjust the height of the Crib compared with the adult bed. The top of the side must be at least 1 cm lower than the height of the mattress of the adult bed.
5. Fasten the belts to the buckle located under the Crib. Repeat the operation on both sides.
6. Pass the belts around the frame of the adult bed from the bottom upwards. Repeat the operation on both sides. OR Pass the belts around the base of the bed from bottom upwards. Repeat the operation on both sides.

7. Fasten the buckle so that a loop is formed. Repeat the operation on both sides.

8. Move the Crib as close as possible to the adult bed and pull the belts hard. Repeat the operation on both sides.

MAINTENANCE.

To clean the Crib use warm water and soap. Do not use solvents or derivatives. Dry the metal parts to prevent the formation of rust. Wash the cover by hand in warm water (max. 30° C) using low-duty detergents for delicate fabrics. Do not bleach. Do not use driers. Do not dry clean. Do not iron. Dry flat in the shade.

Silver Cross

UK

Silver Cross (UK) Ltd.
Micklethorn, Broughton, Skipton,
North Yorkshire BD23 3JA

EU/PACIFIC

Silver Cross (Pacific) Ltd.
Office 527, Lee Garden Three,
1 Sunning Road, Causeway Bay,
Hong Kong

Silver Cross[®]

silvercrossbaby.com